

Kensington High Level Cistern – Grey Logo
KENCISH2

Date	Created By	FE Approved By	Supplier Approval
18/11/09	OD		
16/12/11	OD		
17.05.13	OD		



Features and Benefits

- Only the highest quality clay and glazes used
- Hand finished
- Every piece rigorously inspected at every stage of the manufacturing process
- Manufactured in the UK
- Stocked product so always readily available

FAQ's

- (Q) How do I clean and maintain the product?
- (A) Refer to maintenance section.
- (Q) Is it simple to install?
- (A) Yes but we always suggest that a professional installer is used.
- (Q) Can the water feed be installed on either side of the cistern?
- (A) Yes there are inlet holes on either side of the cistern to help with ease of installation.

Product Information

Analysis code 1:

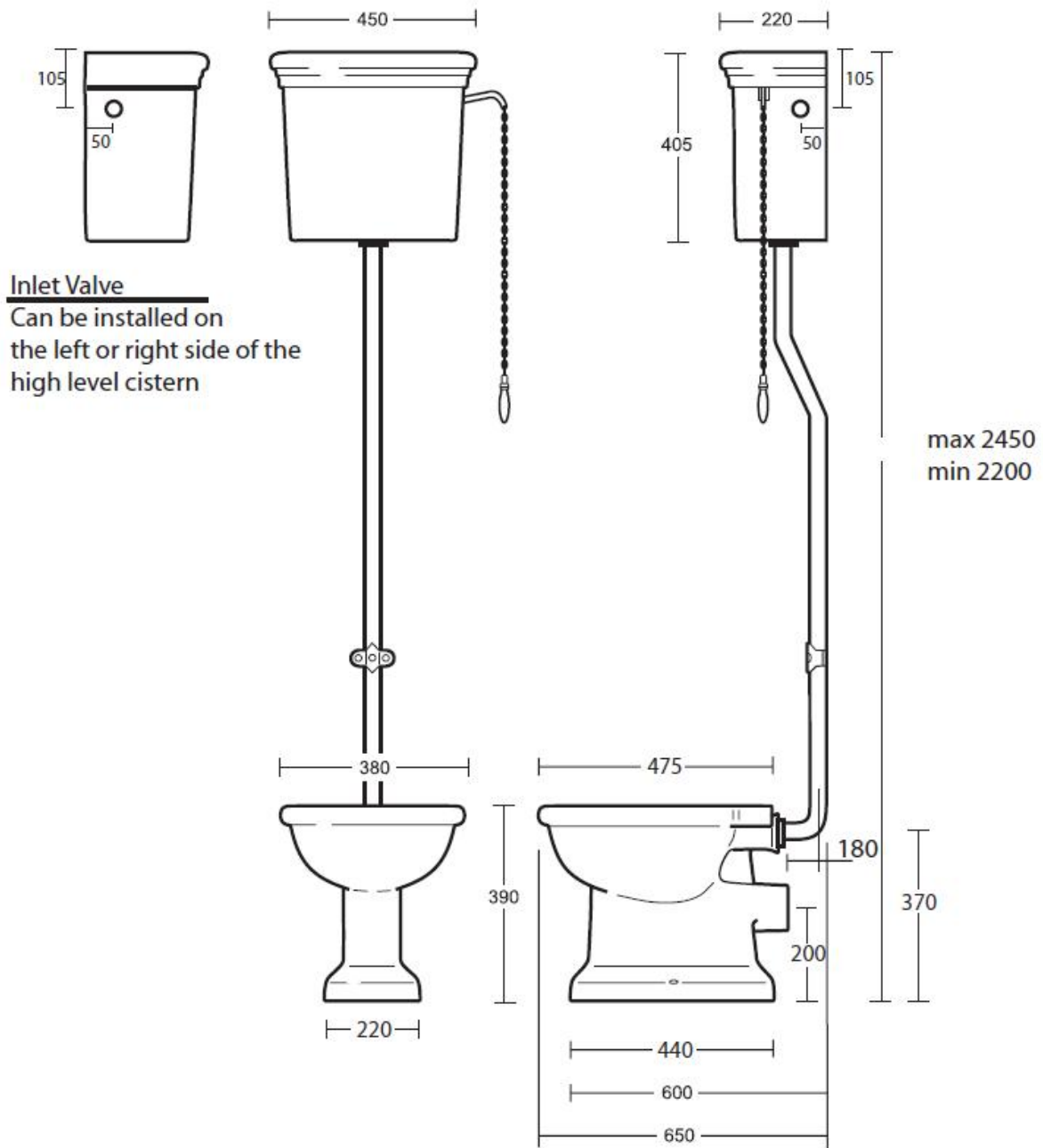
Available from:

Ordering process: Normal Order from HO stock

The up to date version (controlled document) is on the Fired Earth intranet. Always check any printed version before use.

Kensington High Level Cistern – Grey Logo
KENCISH2

Dimensional Drawing



The up to date version (controlled document) is on the Fired Earth intranet. Always check any printed version before use.

Kensington High Level Cistern – Grey Logo
KENCISH2

Pack Contents



<u>Item</u>	<u>Description</u>	<u>Qty</u>
A	Side Entry Torbec Valve	1
B	Thomas Dudley Flush Valve	1
C (see appendix)	H/L Lever Arm	1
D (see appendix)	HL Pipe Kit	1

Maintenance/Care Instructions

The glazed finish of your sanitary ware should be cleaned after use by applying a little cream type cleaner. Apply using a sponge or damp cloth and rinse thoroughly with clean water. Cleaners containing abrasive materials should be avoided.

Installation Instructions

Imperial do not supply installation instructions with this product but strongly suggest that the product is fitted by a professional installer.

Imperial do offer the following advice:

Vitreous China products are extremely hard, non porous but also brittle and therefore should not be put under stress during installation. Basin waste fittings should not be overtightened as this can cause stresses in the ceramic material. Over time this may cause a failure of the product. Waste fittings should be carefully bedded in silicon and the back nut hand tightened. One additional quarter turn using a suitable spanner is

The up to date version (controlled document) is on the Fired Earth intranet. Always check any printed version before use.

Bathrooms

Kensington High Level Cistern – Grey Logo
KENCISH2

sufficient to create the required seal. Care should also be taken when fitting brassware to tap platforms to prevent similar stress related failures. All products should be inspected before installation.

Warehouse Description

Packaging

Net Weight: 16.9Kg

Gross Weight: 17.4Kg

No of boxes per product code: 2

Dimensions of outers: 390 x 580 x 480mm (Cistern)
148 x 280 x 80mm (HL Pipe Kit)

How many inners per outer: 0

Dimensions of inner: N/a

Agreed packaging standard:

- 5mm Double corrugated cardboard, brown with Fired Earth printing (Cistern box)
- White Cardboard box (H/L flush pipe kit)

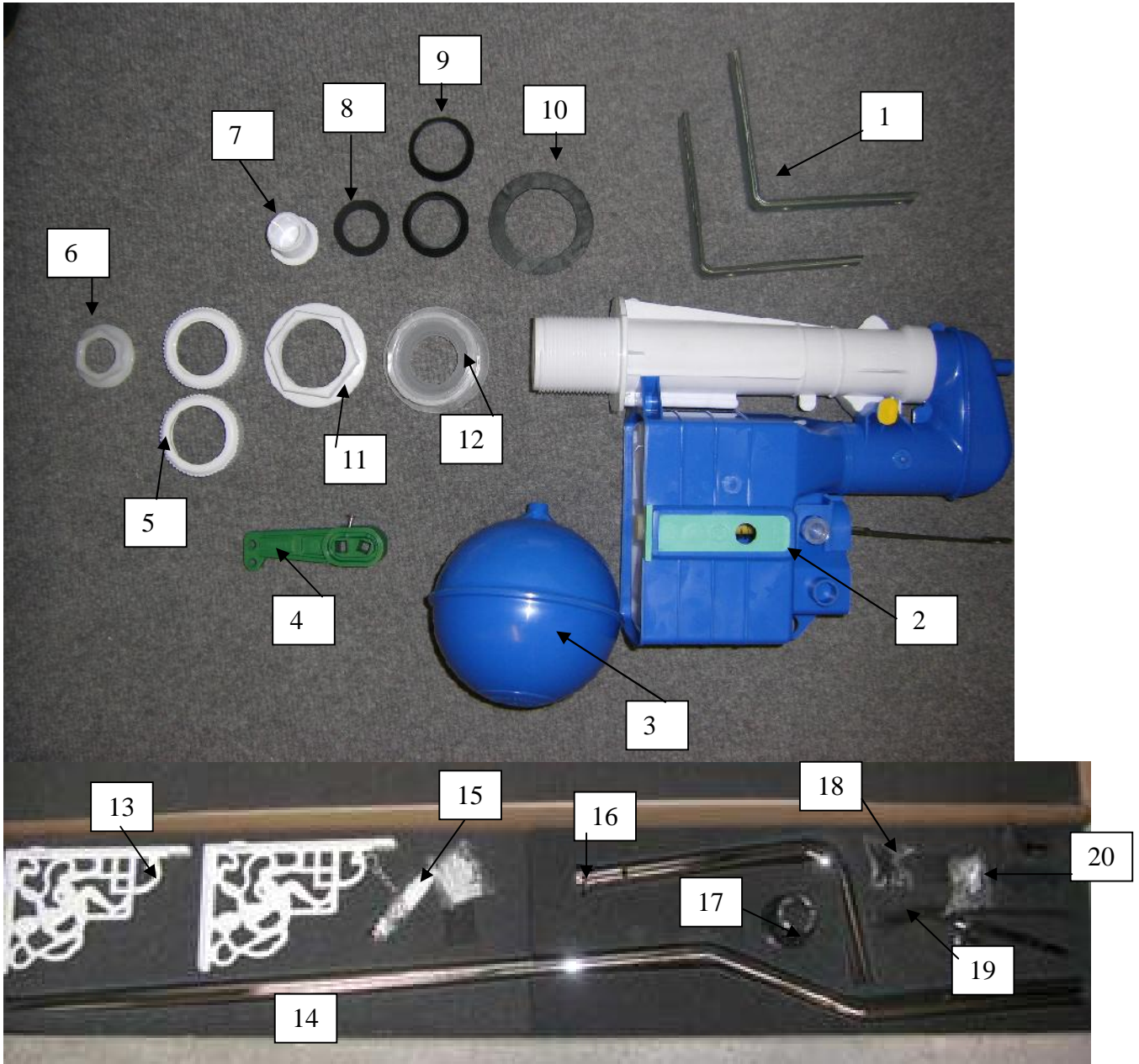
Label specification:



Fired Earth Code: KENCISH2

The up to date version (controlled document) is on the Fired Earth intranet. Always check any printed version before use.

Kensington High Level Cistern – Grey Logo
KENCISH2



The up to date version (controlled document) is on the Fired Earth intranet. Always check any printed version before use.

Kensington High Level Cistern – Grey Logo
KENCISH2

<u>Item</u>	<u>Description</u>	<u>Qty</u>
1	L-Brackets	2
2	Flush Siphon	1
3	Float Ball	1
4	Flush Arm	1
5	Tightening Nut	2
6	Inlet Bolt Nut	1
7	Inlet Bolt	1
8	Inlet Washer	1
9	Washer	2
10	Large Washer	1
11	Back Nut	1
12	WC Inlet grommet	1
13	Wall Brackets	2
14	Down Pipe Large section	1
15	Ceramic Pull Handle & Chain	1
16	L-Pipe	1
17	Cistern collar	1
18	Fixings bag	1
19	Flush Arm	1
20	Wall Retaining Clip & Buffer	1
21		

The up to date version (controlled document) is on the Fired Earth intranet. Always check any printed version before use.