

Kensington Washstand
KENWAS

Date	Created By	FE Approved By	Supplier Approval
18/11/09	OD		



Features and Benefits

- High quality Brass with a beautiful chrome finish
- Elegant alternative to pedestal option
- Neat Storage solution
- Stocked product so always readily available

FAQ's

- (Q) Will this stand fit other basins?
- (A) No, it is specifically designed for the Kensington Basin. Other basins have their own stand options.
- (Q) Is it simple to install?
- (A) Yes but we always suggest that a professional installer is used.
- (Q) Is it heated?
- (A) No.

Product Information

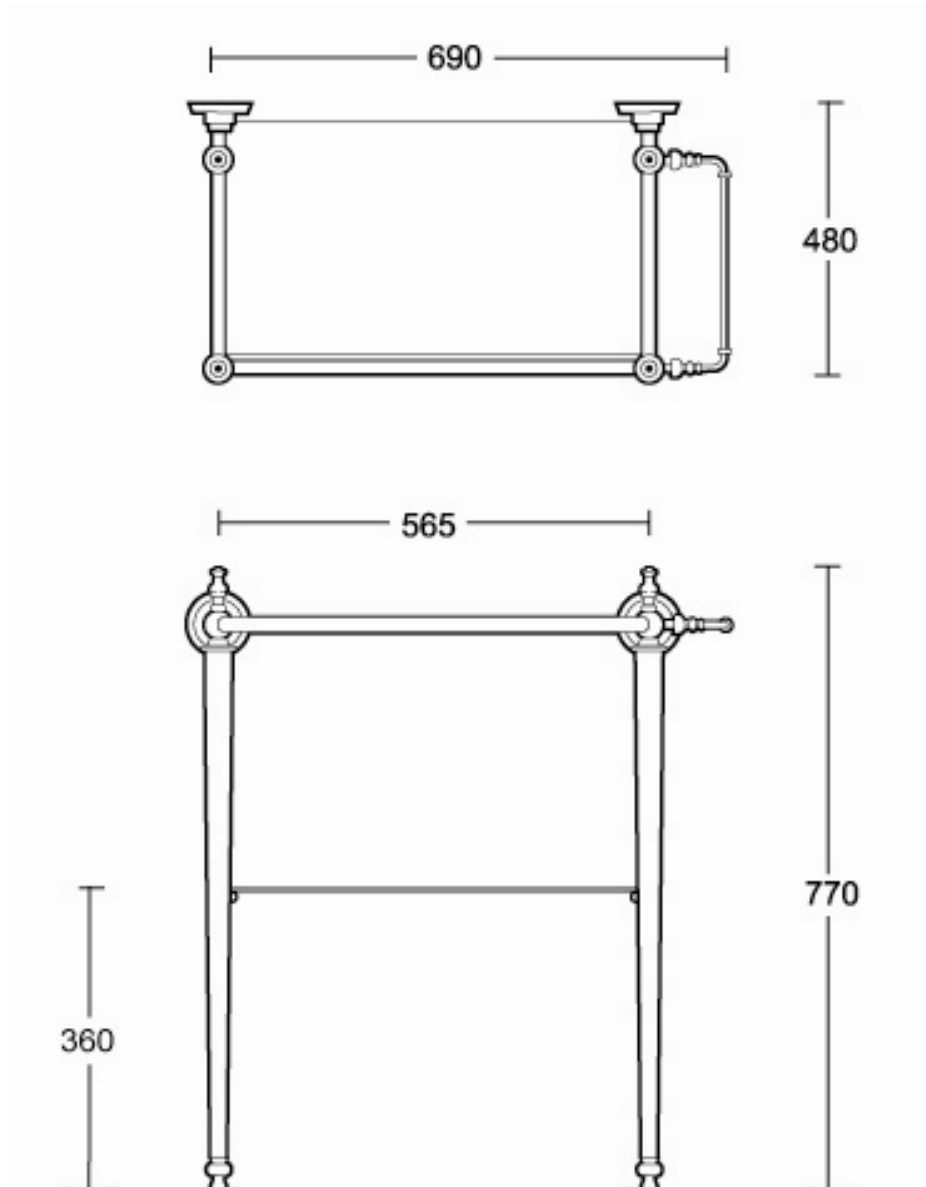
Analysis code 1:

Available from:

Ordering process: Normal Order from HO stock

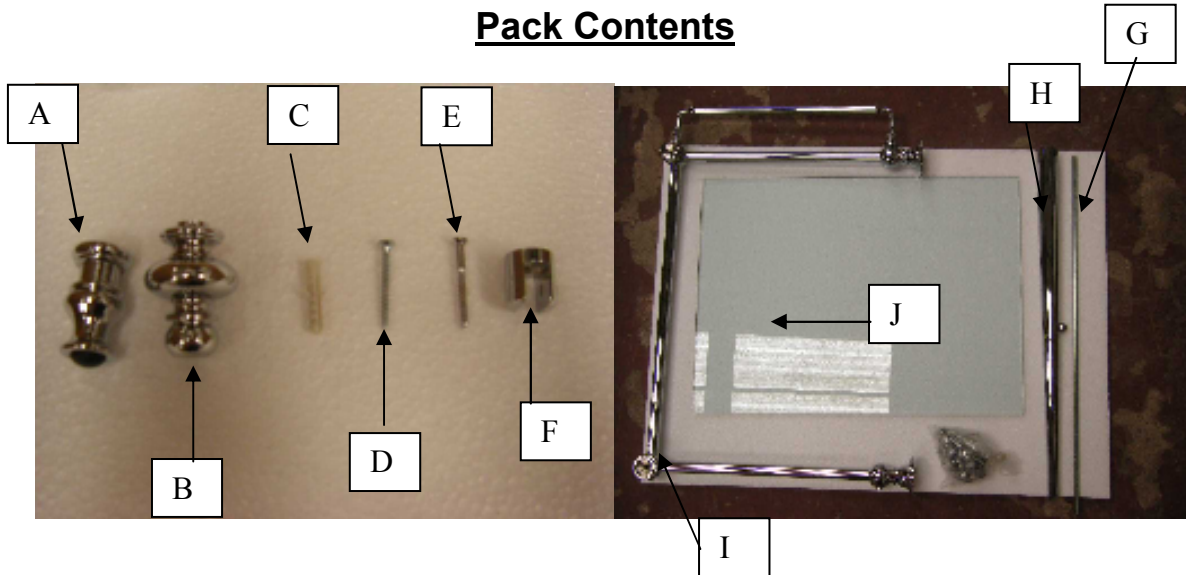
Kensington Washstand
KENWAS

Dimensional Drawing



Kensington Washstand
KENWAS

Pack Contents



<u>Item</u>	<u>Description</u>	<u>Qty</u>
A	Adjustable Buffer	4
B	Foot	2
C	Rawl plugs	6
D	Wall Screws	2
E	Bracket Screws	4
F	Shelf Handles	2
G	Threaded Rod	2
H	Leg	2
I	Top Frame	1
J	Glass Shelf	1
K		

Kensington Washstand
KENWAS

Maintenance/Care Instructions

Assembly Instructions

- 1] Ensure that you have all the components Listed.
- 2] Assemble Legs – Place the threaded bar within the tapered Chrome leg. Screw the Chrome Foot on to the treaded Bar.
- 3] Take the frame from the box, and locate the feet (Qty 2) into the frame, ensuring that the Glass location points are facing towards the wall. Secure in place using the adjustable Basin Mountings.
- 4] Screw the rear Adjustable Basin Mountings in to place on the threaded bar that is already on the Frame.
- 5] Locate the Basin Stand in its final position and Mark the walls for the fixing screws (The screws & wall plugs are provided within the box.) Drill the holes for the fixing the stand to the wall, and secure the Basin Stand to the wall. (ensuring that the stand is Square and Level).
- 7] Fit the basin with taps and waste etc, and locate the basin on the basin stand. (The Adjustable Basin mountings are on threaded bar, and will allow you to adjust the height of each mounting to ensure that the basin fits correctly. Each basin is hand made and can there have some degree of warpage). **Check that the Basin is level.**
- 8] Mark the wall with the position of the Tab Bracket or Basin Fixings, and then drill and secure the basin to the wall. (The Tab bracket / Bolts are found within the Basin Box). **This is very important as it is these brackets / Fixings that stop the basin from being pulled away from the wall.**
- 8] You are now able to complete your pipe work.
- 9] Finally locate the Glass Shelf in position, ensuring that it is Level. Mark its position and using the two Glass Brackets and screws, secure in place. Place the Glass in to position, and tighten up the two nylon screws on the wall brackets.

Components List

Qty 2 Chrome legs
 Qty 1 Chrome Frame
 Qty 2 Threaded Bars
 Qty 1 Glass Shelf
 Qty 2 Chrome Feet (In separate Bag)
 Qty 4 Adjustable Basin Mountings

Wall Fixings

Qty 4 Wall Plugs
 Qty 4 Screws
 Qty 2 Glass support Brackets with Screws and Plug

Bathrooms

Kensington Washstand
KENWAS

Warehouse Description

Packaging

Net Weight: 13 Kg

Gross Weight: 13.5 Kg

No of boxes per product code: 1

Dimensions of outers: 850 x 660 x 180mm

How many inners per outer: 0

Dimensions of inner: N/a

Agreed packaging standard: 5mm Double corrugated cardboard, white.

Label specification:



Fired Earth Code: KENWAS