

PRODUCT INFORMATION

Bathrooms

Fired Earth

FLORENCE CLOSE COUPLED TOILET **FLORCIS - FLORPAN**



Features and Benefits

- Clean contemporary lines with a real urban feel
- Easy to clean
- Back to the wall close coupled WC pan cistern
- Toilet seat provided
- Dual flush

PRODUCT INFORMATION

Bathrooms

Fired Earth

<p><u>FLORENCE CLOSE COUPLED TOILET</u> FLORCIS - FLORPAN</p>

FAQ'S

Q: Is the product easy to install

A: Yes, however we would recommend that a qualified installer is used.

Q: Does the toilet have a dual flush?

A: Yes, the toilet as a 3litre and 6litre flush.

Q: Does the toilet come with a toilet seat?

A: Yes, a white toilet seat and fixings are supplied with the product.

Q: How do I clean this product?

A: Please refer to our cleaning and care instructions.

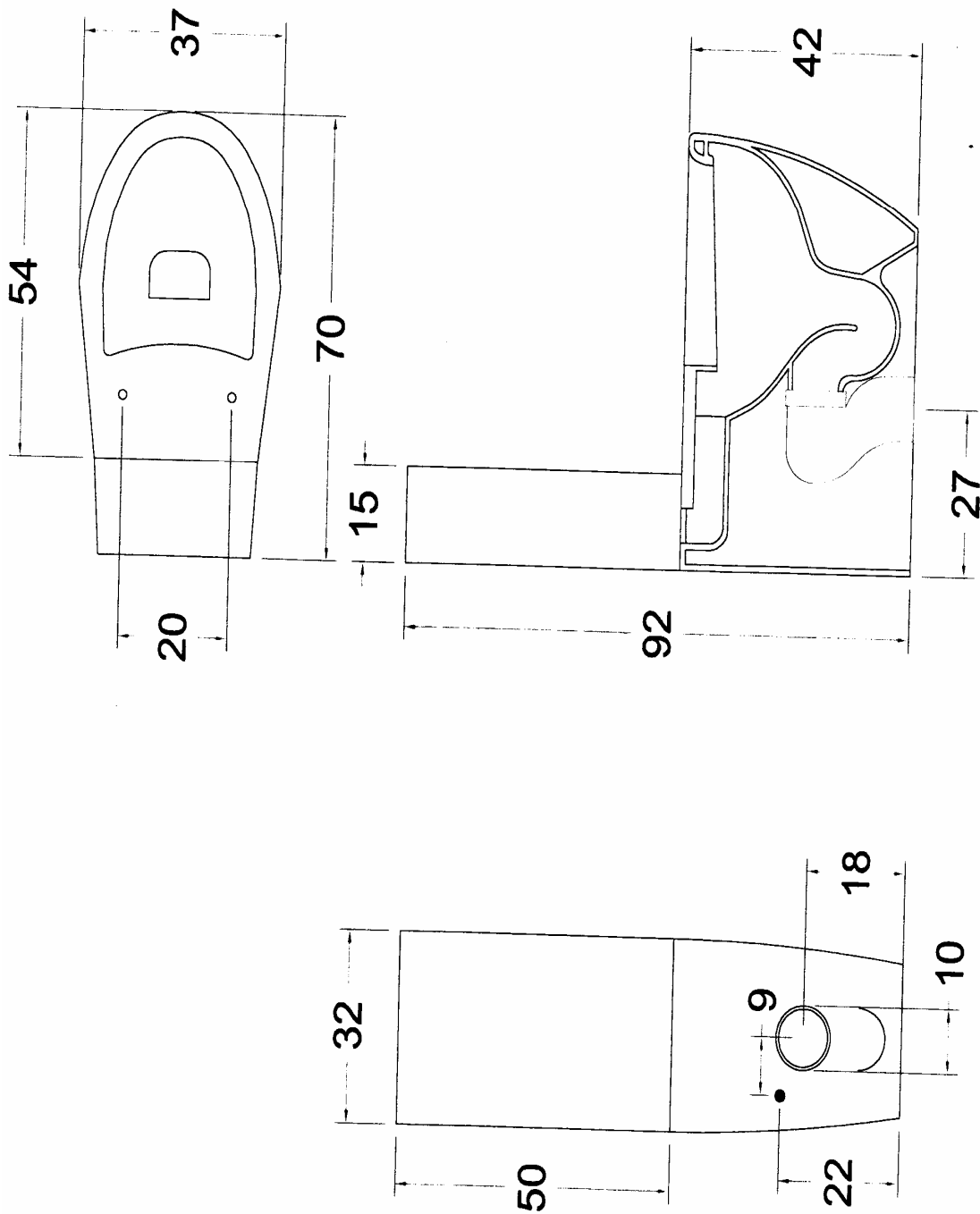
PRODUCT INFORMATION

Bathrooms

Fired Earth

FLORENCE CLOSE COUPLED TOILET FLORCIS - FLORPAN

Dimensional Drawings



PRODUCT INFORMATION

Bathrooms

Fired Earth

FLORENCE CLOSE COUPLED TOILET FLORCIS - FLORPAN

Boxed Parts



Item	Description	Quantity
A	Ceramic Cistern Cover	1
B	Internal Watertight Cistern	1
C	Close Coupled Pan	1
D	Pan Fixings	1
E	Ceramic Cistern Fixings	1
F	Internal Watertight Cistern Fixings	1
G	Doughnut Sealing Washer	1
H	Bent Pan Connector (Optional Use)	1

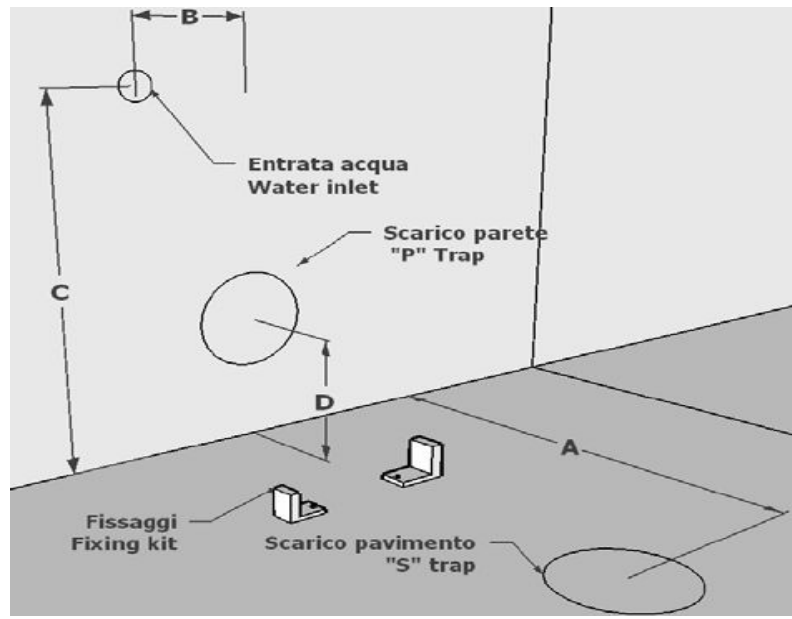
PRODUCT INFORMATION

Bathrooms

Fired Earth

FLORENCE CLOSE COUPLED TOILET FLORCIS - FLORPAN

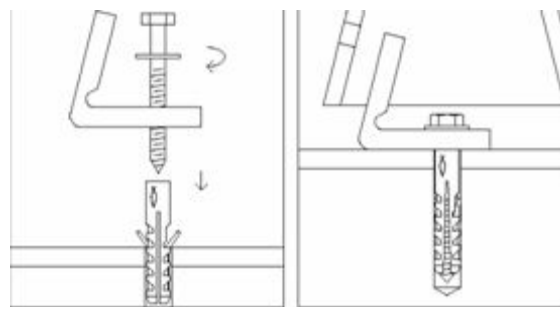
Installation Guidelines



- Position the water connection in the wall – 220mm from the floor and 90mm to the left of the soil pipe centre according to the table below

Code	A	B	C	D
Florence	260	90	220	180

- Position the fixing brackets (D) for the pan to the floor in the required position

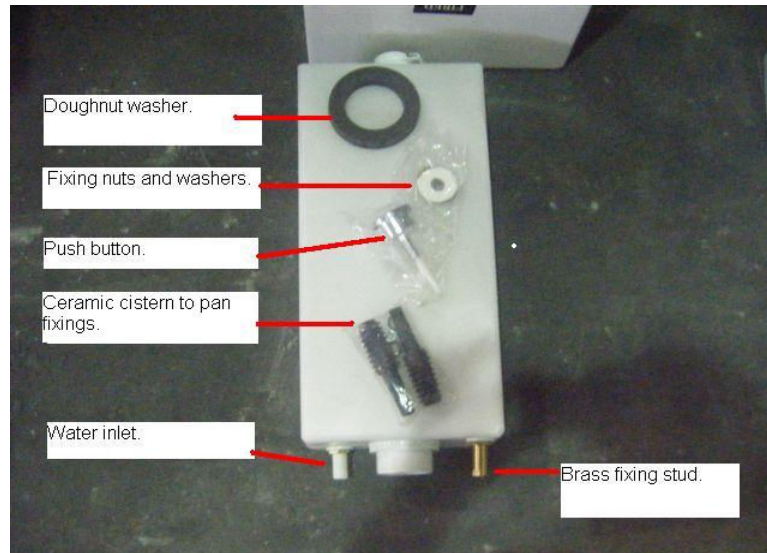


PRODUCT INFORMATION

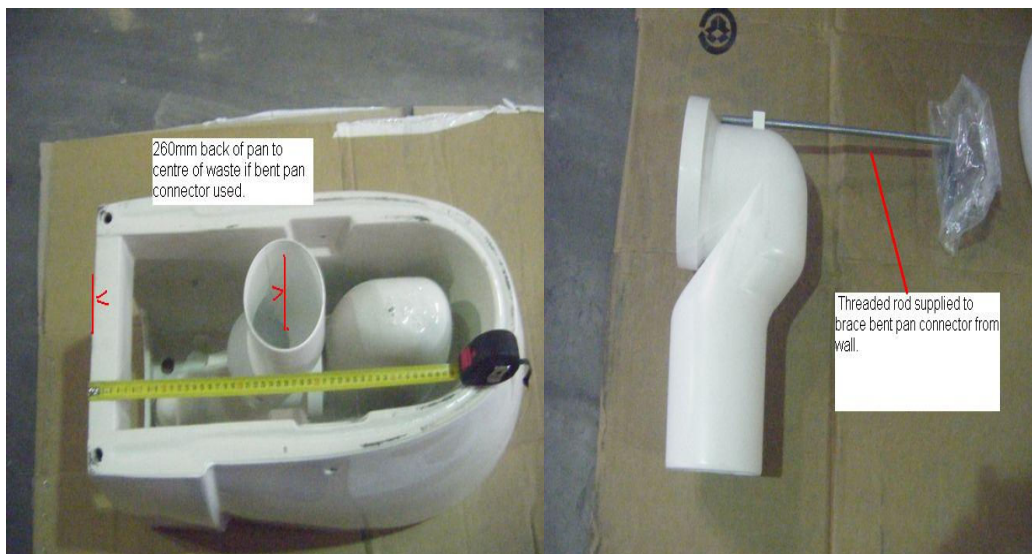
Bathrooms

Fired Earth

FLORENCE CLOSE COUPLED TOILET **FLORCIS - FLORPAN**



- Fit the internal watertight cistern (B) to the pan, fitting the doughnut sealing washer (G) into position, securing the cistern to the pan with the washer and brass nuts (F). These are tightened on to the water inlet and brass fixing stud to secure the cistern to the pan.
- Connect the toilet to the drainage and water connections. We would suggest the use of a flexible connection to the water inlet to aid installation. Test for water tight connections and secure the pan into the required position.



PRODUCT INFORMATION

Bathrooms

Fired Earth

FLORENCE CLOSE COUPLED TOILET **FLORCIS - FLORPAN**

- Fit the ceramic cistern fixings (E) into the holes in the base of the ceramic cistern cover (A). These should be pushed firmly into the holes and are held in position by the 'taper' effect.



- Thread a nut on to the brass thread, slide the expanding rubber bushes on to the brass thread, place a washer and nut on to the brass thread and tighten to slightly expand the rubber bushes (E)



PRODUCT INFORMATION

Bathrooms

Fired Earth

FLORENCE CLOSE COUPLED TOILET FLORCIS - FLORPAN

- Place the ceramic cistern cover (A) over the internal watertight cistern (B) and locate the expanded rubber bushes into the housings on the top of the pan. The ceramic cistern cover should fit firmly but should allow to be removed if required



- The cistern sitting on the pan



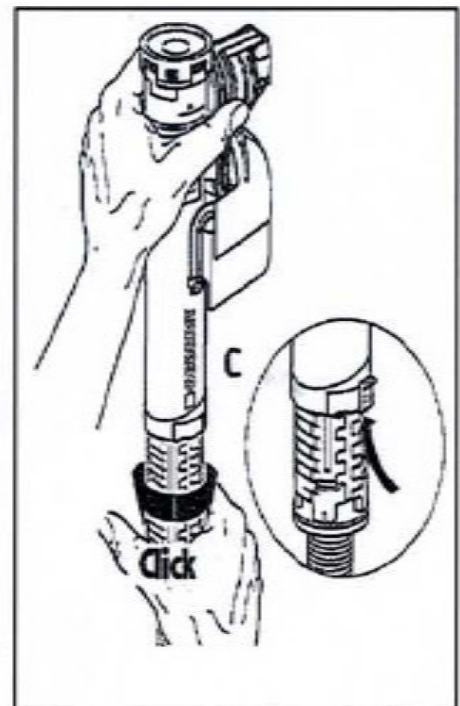
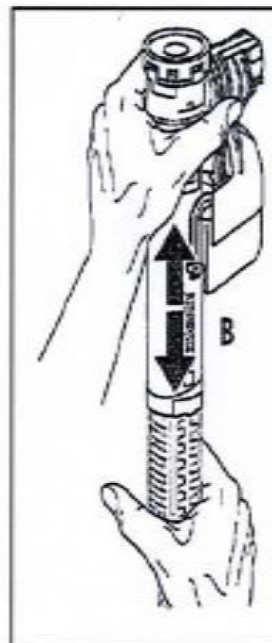
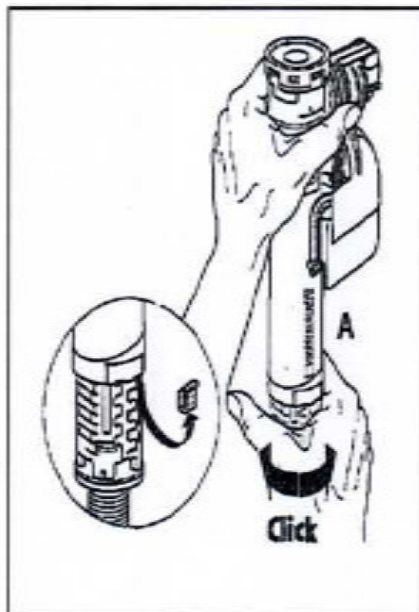
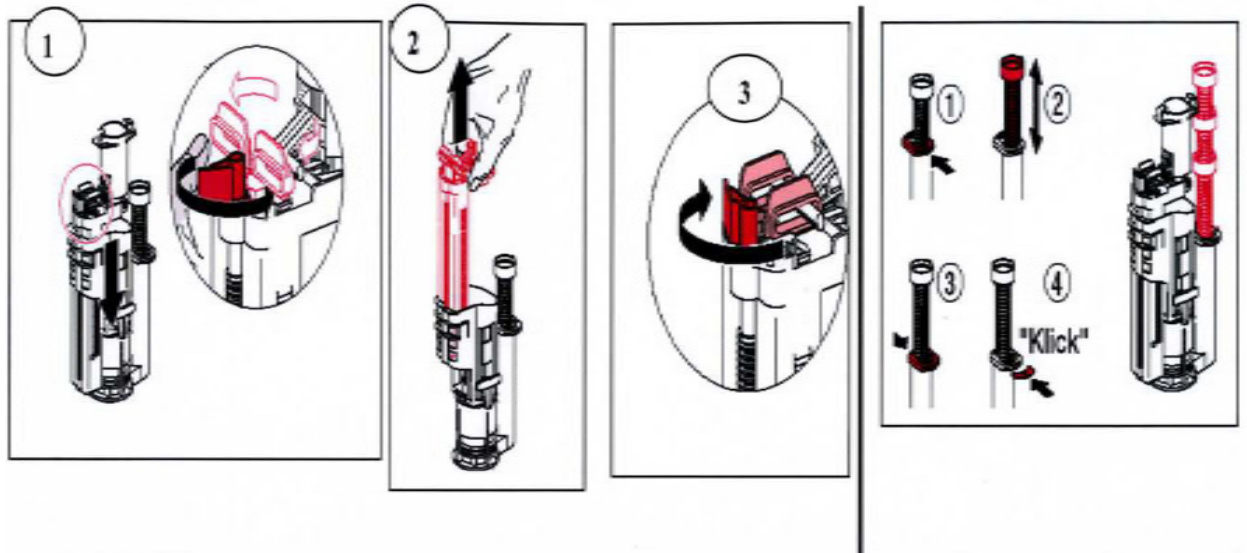
PRODUCT INFORMATION

Bathrooms

Fired Earth

FLORENCE CLOSE COUPLED TOILET FLORCIS - FLORPAN

- Adjusting the mechanism.



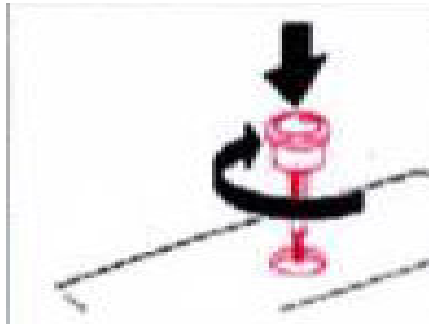
PRODUCT INFORMATION

Bathrooms

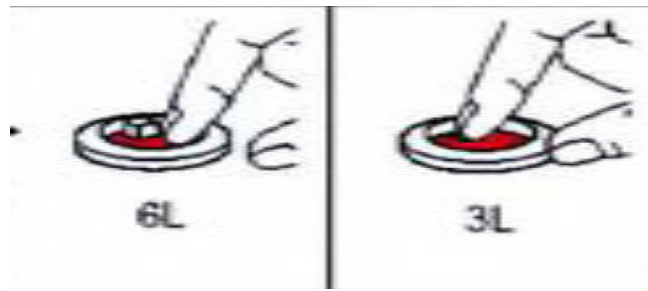
Fired Earth

FLORENCE CLOSE COUPLED TOILET FLORCIS - FLORPAN

- Fitting and operating your flush button. The button should be secured within the cistern into the flush mechanism by screwing in a clockwise direction until firmly in place, taking care not to over tighten.



- Shown below is the operation of both the half 3-litre and full 6-litre flush.



PRODUCT INFORMATION

Bathrooms

Fired Earth

<p><u>FLORENCE CLOSE COUPLED TOILET</u> FLORCIS - FLORPAN</p>

CLEANING AND CARE INSTRUCTIONS

The glazed finish of your sanitary ware should be cleaned after use by applying a little cream type cleaner. Apply using a sponge or damp cloth and rinse thoroughly with clean water. Cleaners containing abrasive materials should be avoided.

WAREHOUSE LONG DESCRIPTION

Packaging

Weight 35Kg + 14Kg + 6Kg + 2Kg (57Kg)

No. boxes per product code 4

Dimensions of outer (72x47x38cm) (57x36x18cm) (57x40x8cm)
(52x23x14cm)

Dimensions of inners

How many inners per outer?

Agreed packaging standard
Pallet specification agreed

Label specification

FE code
Batch No

<p>FIRED EARTH</p>

<p>11 N</p>
