

PRODUCT INFORMATION

FIRED EARTH

Bathrooms; 4/12/9 Alex Clark

Battersea Basin 3TH – Grey Logo
BATBAS3TH2

Date	Created By	FE Approved By	Supplier Approval
18/11/09	OD		



Features and Benefits

- Only the highest quality clay and glazes used
- Hand finished
- Every piece rigorously inspected at every stage of the manufacturing process
- Manufactured in the UK
- Stocked product so always readily available

FAQ's

- (Q) How do I clean and maintain the product?
- (A) Refer to maintenance section.
- (Q) Is it simple to install?
- (A) Yes but we always suggest that a professional installer is used.

Product Information

Analysis code 1:

Available from:

Ordering process: Normal Order from HO stock

The up to date version (controlled document) is on the Fired Earth intranet. Always check any printed version before use.

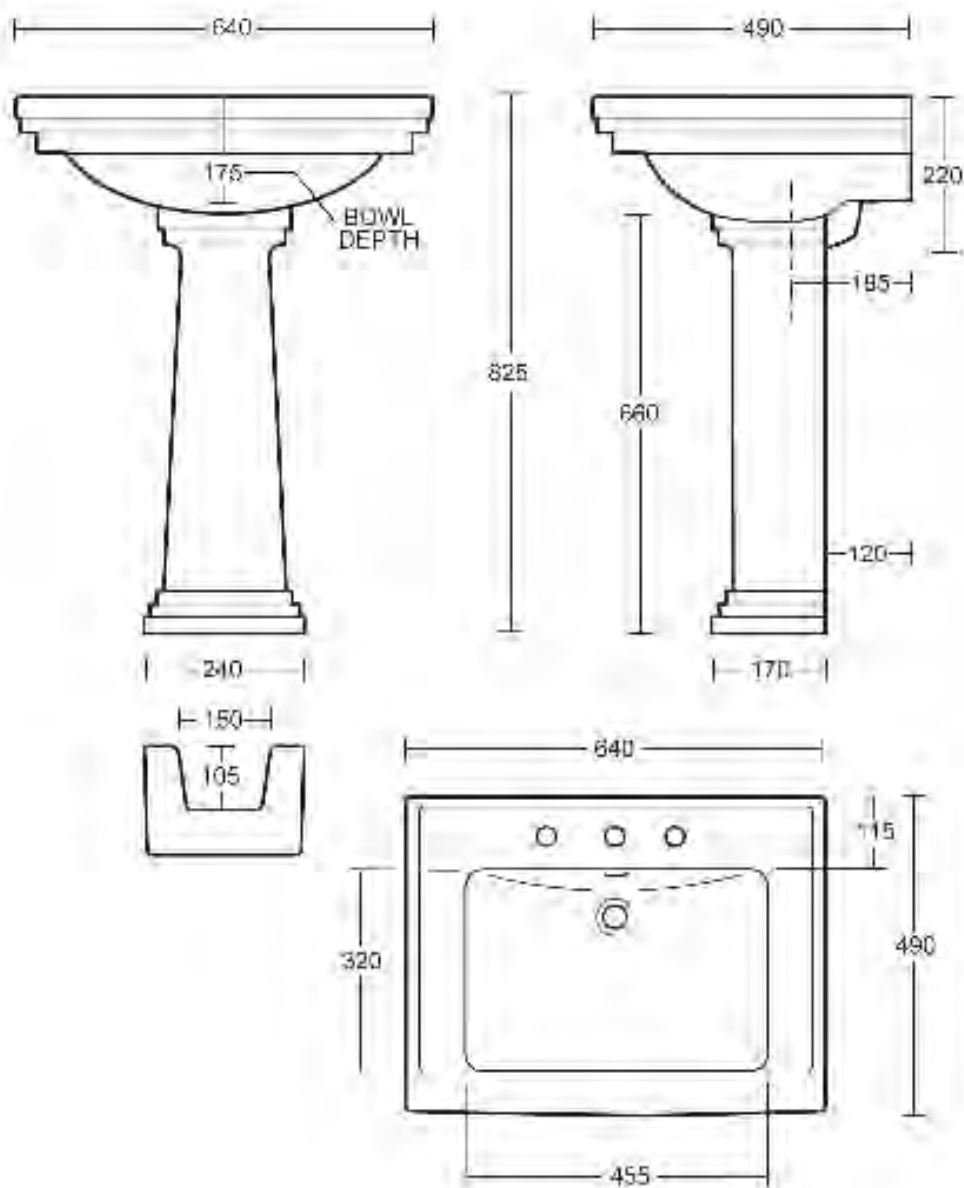
PRODUCT INFORMATION

FIRED EARTH

Bathrooms; 4/12/9 Alex Clark

Battersea Basin 3TH – Grey Logo
BATBAS3TH2

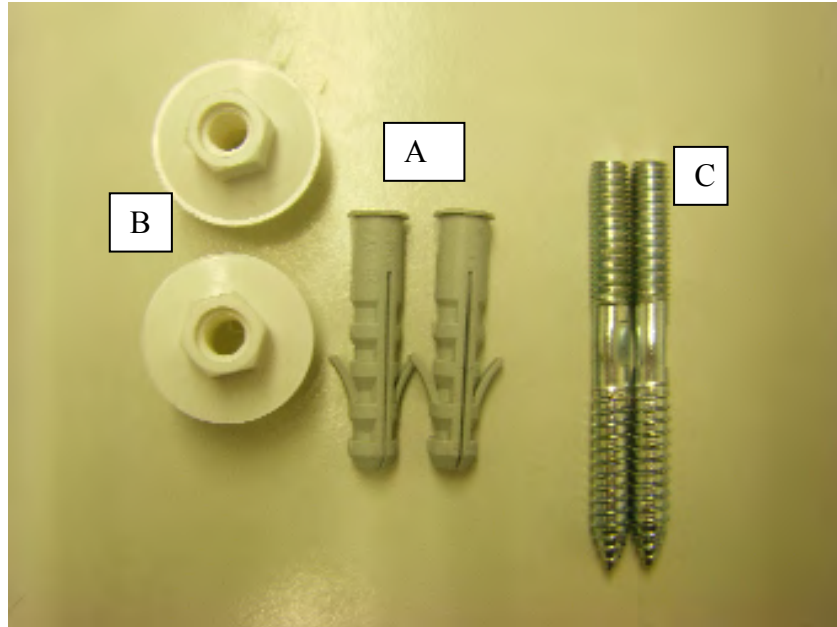
Dimensional Drawing



The up to date version (controlled document) is on the Fired Earth intranet. Always check any printed version before use.

Battersea Basin 3TH – Grey Logo
BATBAS3TH2

Pack Contents



<u>Item</u>	<u>Description</u>	<u>Qty</u>
A	Wall Plug	2
B	Washer Nut	2
C	Bolt	2

Maintenance/Care Instructions

The glazed finish of your sanitary ware should be cleaned after use by applying a little cream type cleaner. Apply using a sponge or damp cloth and rinse thoroughly with clean water. Cleaners containing abrasive materials should be avoided.

Installation Instructions

Fired Earth does not supply installation instructions with this product but strongly suggest that the product is fitted by a professional installer.

Fired Earth recommends:

Vitreous China products are extremely hard, non porous but also brittle and therefore should not be put under stress during installation. Basin waste fittings should not be over tightened as this can cause stresses in the ceramic material. Over time this may cause a failure of the product. Waste fittings should be carefully bedded in silicon and the back nut hand tightened. One additional quarter turn using a suitable spanner is sufficient to create the required seal. Care should also be taken when fitting brassware to tap platforms to prevent similar stress related failures. All products should be inspected before installation.

The up to date version (controlled document) is on the Fired Earth intranet. Always check any printed version before use.

PRODUCT INFORMATION

FIRED EARTH

Bathrooms; 4/12/9 Alex Clark

Battersea Basin 3TH – Grey Logo BATBAS3TH2

Warehouse Description

Packaging

Net Weight: 17.9 Kg

Gross Weight: 18.1 Kg

No of boxes per product code: 1

Dimensions of outers: 225 x 550 x 720mm

How many inners per outer: 0

Dimensions of inner: N/a

Agreed packaging standard: 5mm Double corrugated cardboard, brown with Fired Earth printing

Label specification:



Fired Earth Code: BATBAS3THG

The up to date version (controlled document) is on the Fired Earth intranet. Always check any printed version before use.