

Bathrooms;

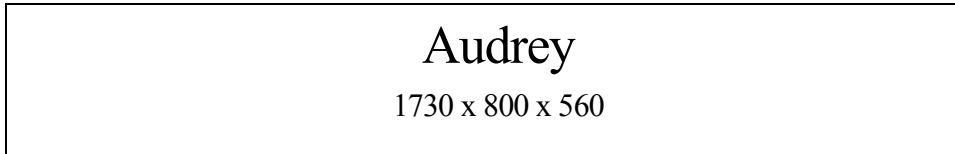
**Audrey**  
1730 x 800 x 560



**COMPLEMENTARY PRODUCTS**

Description	Fired Earth Product Code
Factory fitted feet	
Freestanding or wall mounted taps	

Bathrooms;



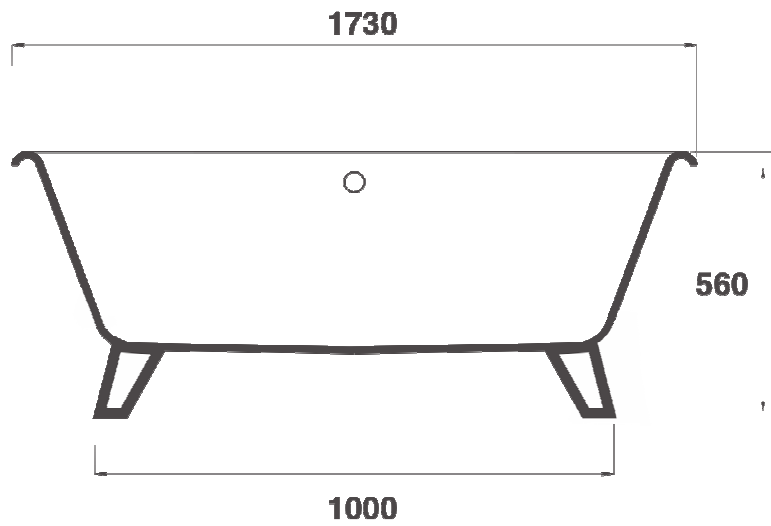
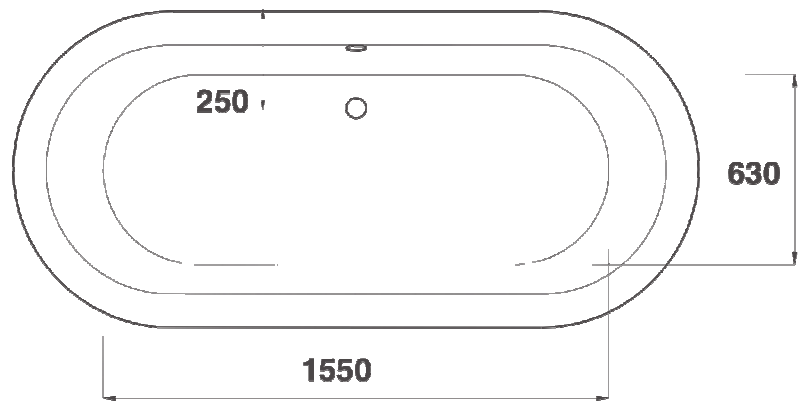
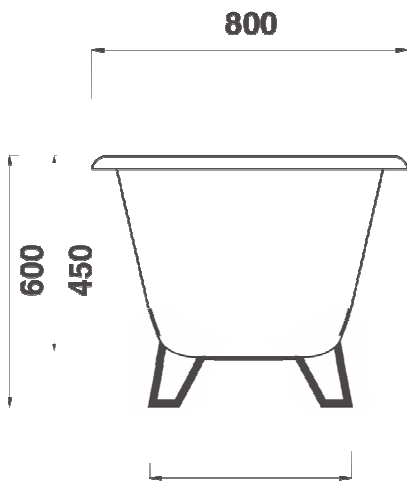
**FEATURES AND BENEFITS**

- Manufactured In Britain.
- Manufactured from Corro, a composite material comprising volcanic and organic materials with resin.
- Hard wearing, luxurious and practical.
- Hygienic, with wonderful thermal properties.
- Most everyday marks or scratches can be repaired to restore the bath to its original smooth, hygienic solid surface integrity.
- Hand polished finish.
- Manufactured under Vacuum for a stronger material.
- Specifically designed for user comfort.
- Manufactured in one solid casting.
- Available in the following finishes:
  - White Interior and Exterior
  - Factory fitted feet

Bathrooms;

**Audrey**  
1730 x 800 x 560

**DIMENSIONAL DRAWING.**



Bathrooms;

Audrey

1730 x 800 x 560

### **FITTING INSTRUCTIONS**

The installation of the bath will be seen as an acceptance of quality.

Please ensure you have thoroughly inspected the bath inside and outside.

It is recommended that a qualified plumber be used to install the bath.

**We will NOT take any responsibility for incorrect installations.**

We do not give any advice on DIY installations.

**WE WOULD ADVISE CHECKING THE BATH THOROUGHLY UPON DELIVERY.**

**WE STRONGLY RECOMMEND THAT ALL PROTECTIVE PACKAGING REMAINS ON THE BATH UNTIL ALL REFURBISHMENTS ARE COMPLETED.**

The installation of the bath

A) All waste and pipe work needs to be in place prior to installation of the bath.



We recommend using an exposed 1½ bath waste with an exposed trap as in certain circumstances the pipework may be seen (a reference example is shown above)

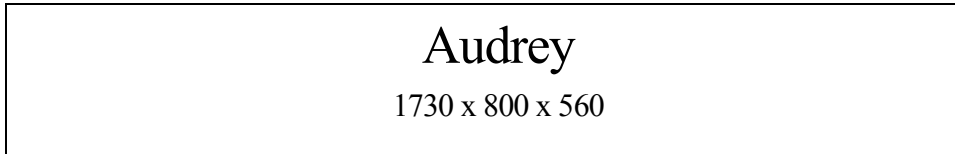
B) Position the bath in the desired location and mark the centre of the waste outlet on the floor.

C) Remove the bath, prepare suitable waste pipe work beneath or above floor level to accommodate the waste pipe work.

E) Install the waste kit to the bath and then connect to the p-trap.

F) Run the taps and check for leaks.

Bathrooms;



**PAINTING YOUR BATH (White finish only)**

*Should you wish to paint the exterior of the bath.*

A) First rub down the surface with a fine abrasive paper to form a key. Wipe down thoroughly to remove any dust before applying the paint.

B) Following the paint manufacturer's instructions, apply the paint to the bath. We recommend two topcoats. Use a small roller or brush, applying paint in a random fashion so as not to create paint lines.

**Care**

Fine scratches can be removed with a damp cloth and a mild cleaner such as Cif active cream.

Lime-scale can be removed with vinegar or a mild remover such as lime-lite. Rinse several times with warm water and dry with a soft cloth.

For everyday cleaning just use a mild cream cleaner such as Cif or bar keepers friend. Do not use abrasive cleaners as they will remove the gloss finish. Should you need to restore the gloss use the automotive Q3, polishing in circular motions.

Deeper scratches may require a more abrasive paper to be used initially. If this is the case work your way up to a 1500 grit gradually and re-polish. For the best results limit sanding to the smallest possible area around the scratch. It may be possible to polish very fine scratches away without using abrasive papers: scrubbing gently with a soft brush or plastic pad (not metal scouring pad) and a mild cream cleaner. Afterwards scrub the whole area with plenty of clean water and re-polish as before.

**Cleaning Your Bath**

We recommend a non-abrasive bathroom or kitchen household cleaner. Abrasives will cause the disappearance of the glossy look over a long period. Should you need to clean the bath with an abrasive cleaner, as may be required from time to time, polishing with a car polish or household metal polish will restore the baths' lustre.