

Versailles Large Console



Product Code:	
VERLGECONSOLE	Versailles Lrg Console inc 4 Trad Legs (shown above left)
VERLGECONSSLIM	Versailles Lrg Console inc 4 Slim Legs (shown above right)

Features and Benefits

- Manufactured entirely in Italy – using high quality raw materials
- Packed in dedicated Fired Earth packaging.
- Large Console is available in two options for legs:
 - Traditional Legs – white fireclay legs in a traditional contoured shape
 - Slim Legs – white fireclay legs in a minimal slimline shape
- Fired Earth branded care & maintenance (low adhesive) label on every piece.
- Integral circular overflow in console is provided with a chrome shroud / cap.
- Two holes in rear for securing to the wall (fixings are not supplied)

FAQ's

- Q:** Are the items set up as Assembly codes?
A: Yes – assembly codes for each leg option mean the console is automatically supplied with legs
- Q:** Do the items come as a 2 or 3 Tap Hole version?
A: ONLY as 3 tap hole version, suitable for FE 3 hole basin mixers.
- Q:** Can legs be used with any other products?
A: No only Versailles consoles
- Q:** What are the differences between the previous range La Rochelle & Versailles?
A: Minor changes in sizes of the moulds.
 Versailles has a flat surface whereas the La Rochelle had a raised rim.
 Versailles has a circular overflow, which unlike the La Rochelle grille won't get blocked by clay

Product Information

Analysis code 1: PBVE

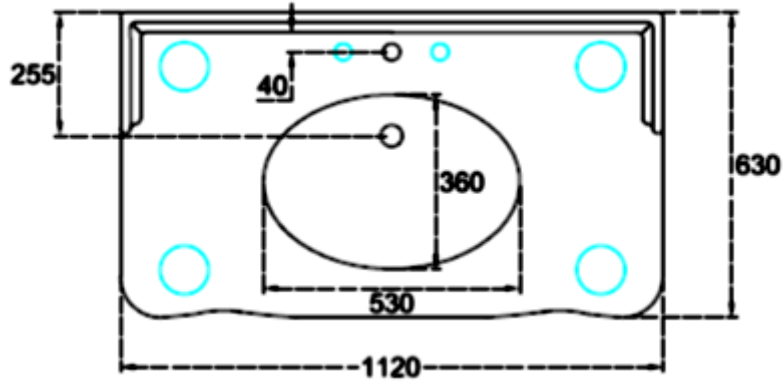
Available from: April 2015

Ordering process: Traditional legs stocked. Slim legs/Black frame to special order. See PU for lead time.

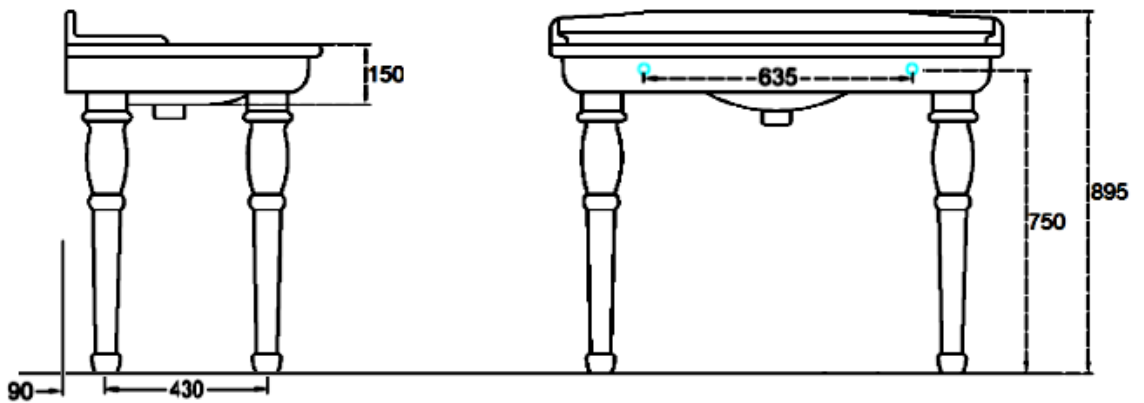
The up to date version (controlled document) is on the Fired Earth intranet. Always check any printed version before use.

Versailles Large Console

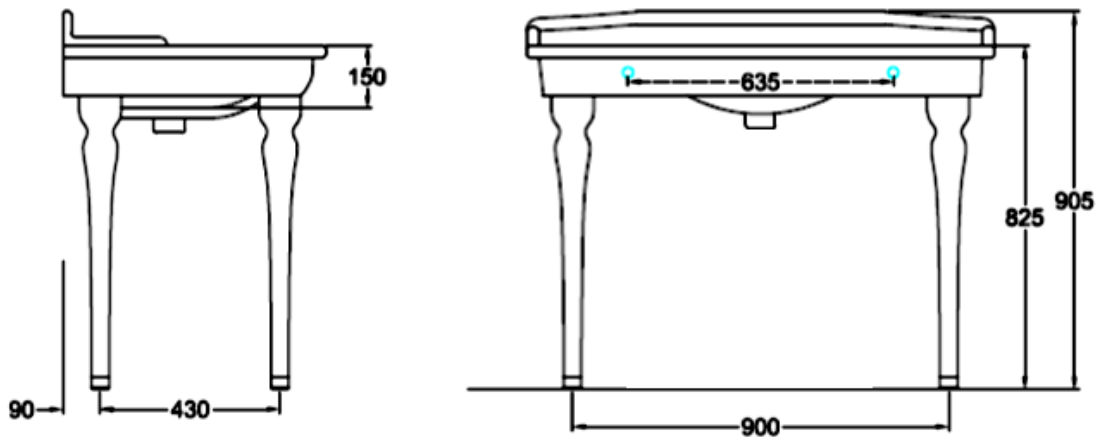
Dimensional Drawing



Traditional
Legs



Slim Legs



The up to date version (controlled document) is on the Fired Earth intranet. Always check any printed version before use.

Versailles Large Console

Pack Contents



NB. The console is supplied as an assembly code of two items: the console top is supplied in one box and the legs are supplied in a separate box. Assembly instructions are supplied in the box with the legs.

	Description	Qty
1	Large 3 taphole Console	1
2	Either:	
	1 pair of traditional white fireclay legs OR	2
	1 pair of slim white fireclay legs OR	2

The up to date version (controlled document) is on the Fired Earth intranet. Always check any printed version before use.

Versailles Large Console

Installation Instructions

General

Installation should be carried out by a competent engineer. Please note due to the size & weight this is a 2 man job. Before installation, ensure product is fully checked. All Basins & Consoles have fixing holes at the rear of the item to facilitate easy installation (fixings not supplied). Product weights in kg's are on labels on product.

- Measure the overall height of the console and legs to the fixing points on the back of the console and drill the site wall accordingly.
- Apply male fixings to the wall (depending on site conditions-use anchor bolts or other suitable fixing--always use a cushioning washer to each face of the pottery surfaces.
- Simultaneously, offer the console to the wall fixings and insert legs into console sockets; apply a bead of silicone to cushion the pot to pot contact of the leg and console. NB. Slim legs fit quite loosely into the sockets and are secured using silicone where the surfaces meet.
- Secure fixings to wall.

Care & Maintenance

General

- To maintain the pleasing appearance of your Versailles Bathroom product you must perform periodic and frequent cleaning.
- For best results clean using a mild soap, rinse thoroughly with warm water and blot dry with a clean, soft cloth.
- In the event of stubborn blemishes shown on the finish, we recommend using a detergent with a soft cloth, but we do not recommend it be used on an everyday basis.
- "Fired Earth Rubber (BATHRUBBER)", below, is designed to remove scuff marks, for example, thin grey scuff lines caused by wedding rings.



The up to date version (controlled document) is on the Fired Earth intranet. Always check any printed version before use.

Versailles Large Console

Warehouse Information

Net Weight:					
Gross Weight:					
No of boxes per product code:	3 – Assembly of console and 2 pairs of legs				
Dimensions of outers:	N/A				
How many inners per outer:	N/A				
Dimensions of inner:	N/A				
Agreed packaging standard:					
Label specification: (Inc FE code, weight and PO ref)	<table border="1" style="width: 100%; text-align: center;"> <tr> <td style="width: 50%; padding: 10px;"> <p>FIRED EARTH</p> <p>VERCONLG</p> </td> <td style="width: 50%; padding: 10px;"> <p>FIRED EARTH</p> <p>VERLEGS</p> </td> </tr> <tr> <td style="width: 50%; padding: 10px;"> <p>FIRED EARTH</p> <p>VERLEGSSLIM</p> </td> <td style="width: 50%;"></td> </tr> </table>	<p>FIRED EARTH</p> <p>VERCONLG</p>	<p>FIRED EARTH</p> <p>VERLEGS</p>	<p>FIRED EARTH</p> <p>VERLEGSSLIM</p>	
<p>FIRED EARTH</p> <p>VERCONLG</p>	<p>FIRED EARTH</p> <p>VERLEGS</p>				
<p>FIRED EARTH</p> <p>VERLEGSSLIM</p>					