

**PRODUCT INFORMATION**

**FIRED EARTH**

Bathrooms

**RAPHAEL CONSOLE**



---

Description	Fired Earth Product Code
Raphael Console Single/Double	

**COMPLEMENTARY PRODUCTS**

Description	Fired Earth Product Code
Fired Earth Taps or mixers	
Fired Earth Trap	

**RAPHAEL CONSOLE**

**FEATURES AND BENEFITS**

- The Raphael console is all Italian bravura and panache.
- Available in four pre-sealed marble finishes Carrara, Sofia Crema, Bardiglio and Nero Marquina each having its own individual markings.
- The console can be ordered with either polished nickel or chrome legs.
- The Raphael console is available as a single and double console.

**FAQ's**

**Q:** Is the Raphael console easy to install?

**A:** Yes, however we would recommend that a qualified installer is used.

**Q:** How do I care for my consoles?

**A:** Please refer to our cleaning and care instructions.

**Q:** Does the console come pre-sealed?

**A:** Yes all consoles are pre-sealed with MN Stain Stop but may need resealing periodically.

**Q:** How many tap holes does the console have?

**A:** The console is available with either one or three tap holes.

**Q:** Which tap or mixers can I use?

**A:** Please refer to our Bathroom Technical Guide which shows tap compatibility.

**Q:** How do I fit the bowl to the marble top?

**A:** The console comes supplied with a tube of adhesive please refer to the fitting instructions for use.

**Important Information about this product.**

1. Carefully unpack your new product and inspect for damage and shortages.
2. Report any discrepancies **before** installation. No claim for damage will be given after installation.
3. Protect the unit from damage during installation.

**PRODUCT INFORMATION**

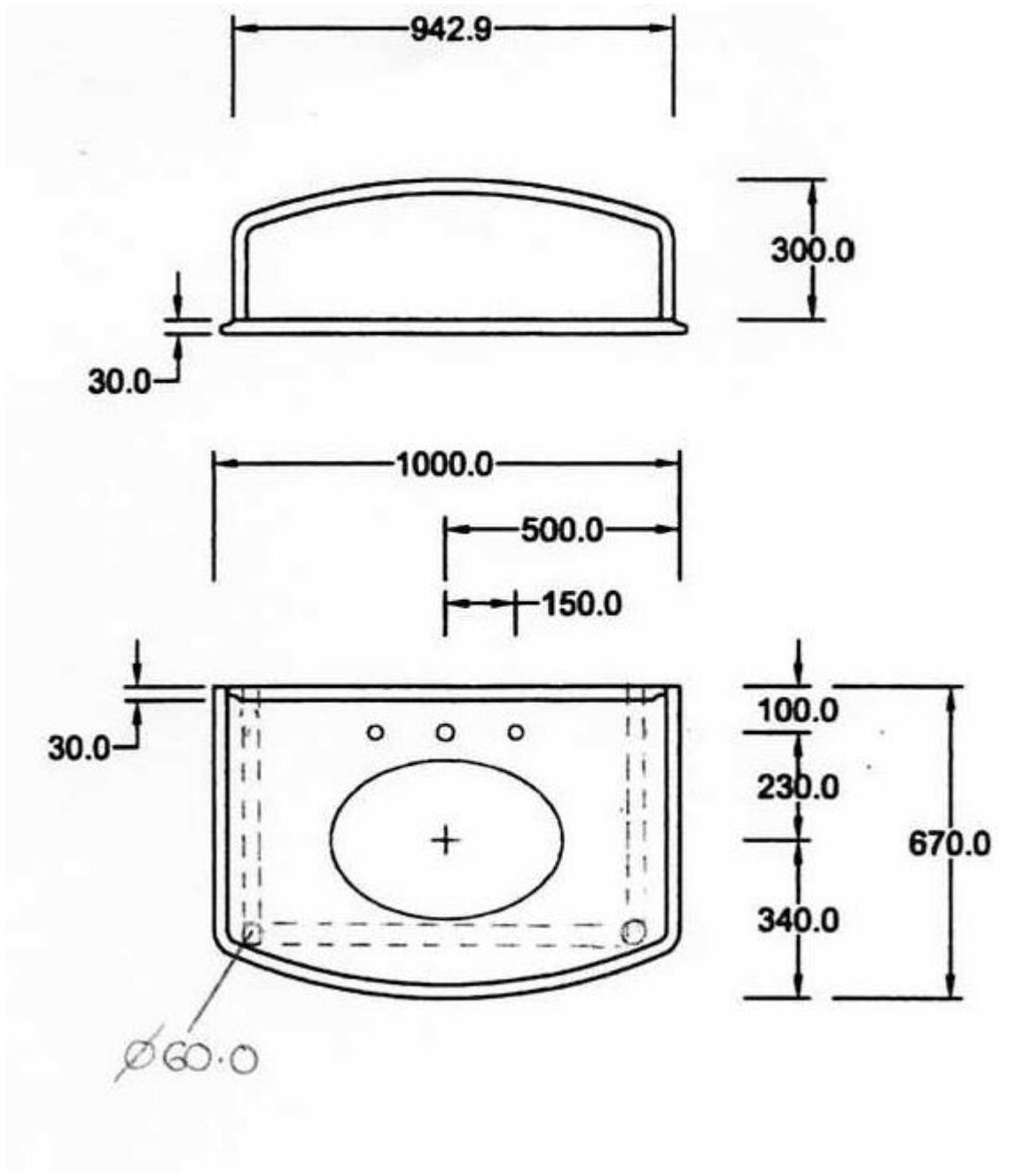
Bathrooms

**FIRED EARTH**

**RAPHAEL CONSOLE**

**DIMENSIONAL DRAWING**

**Single Console Marble**



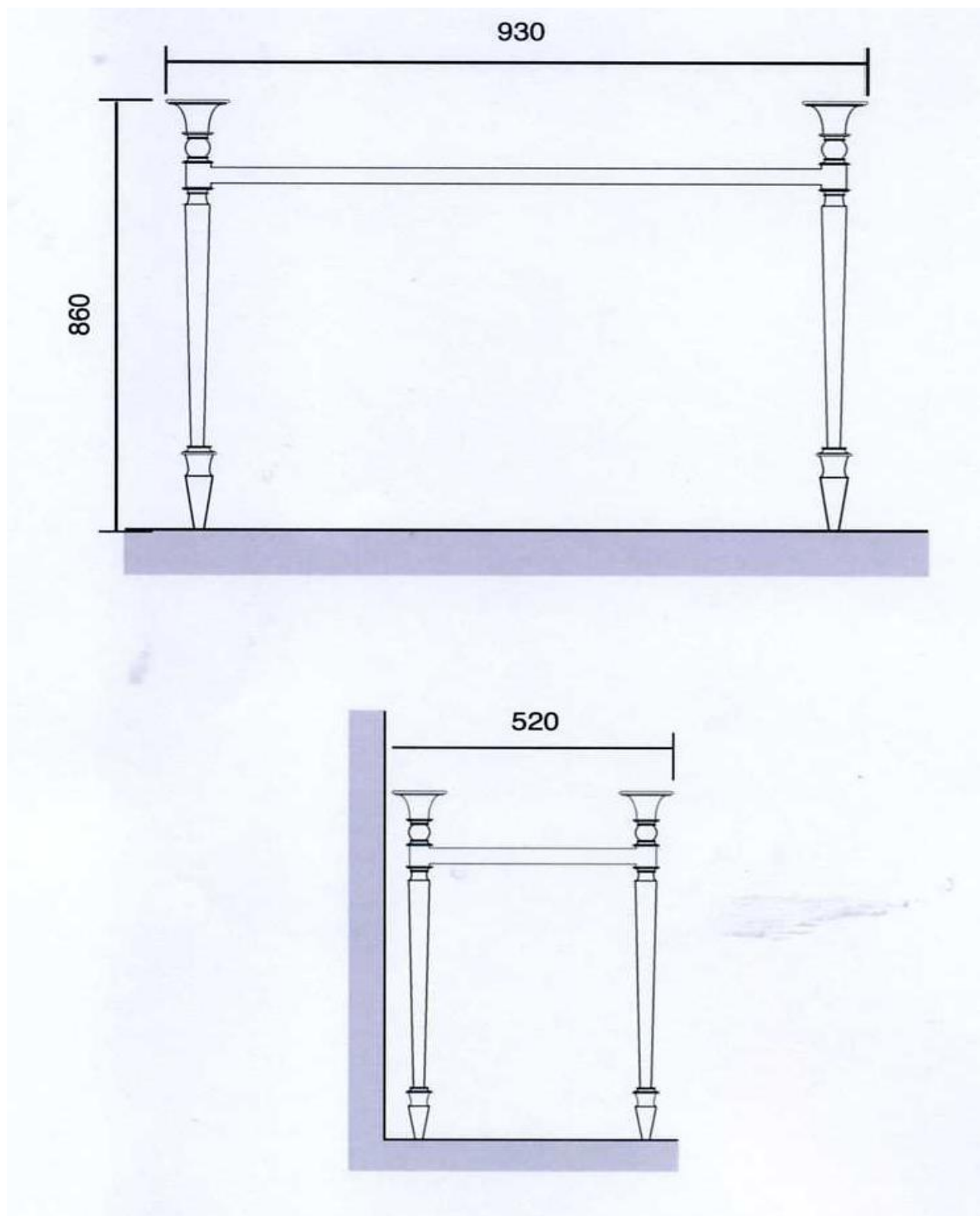
**PRODUCT INFORMATION**

**FIRED EARTH**

Bathrooms

**RAPHAEL CONSOLE**

**Single Console Frame**



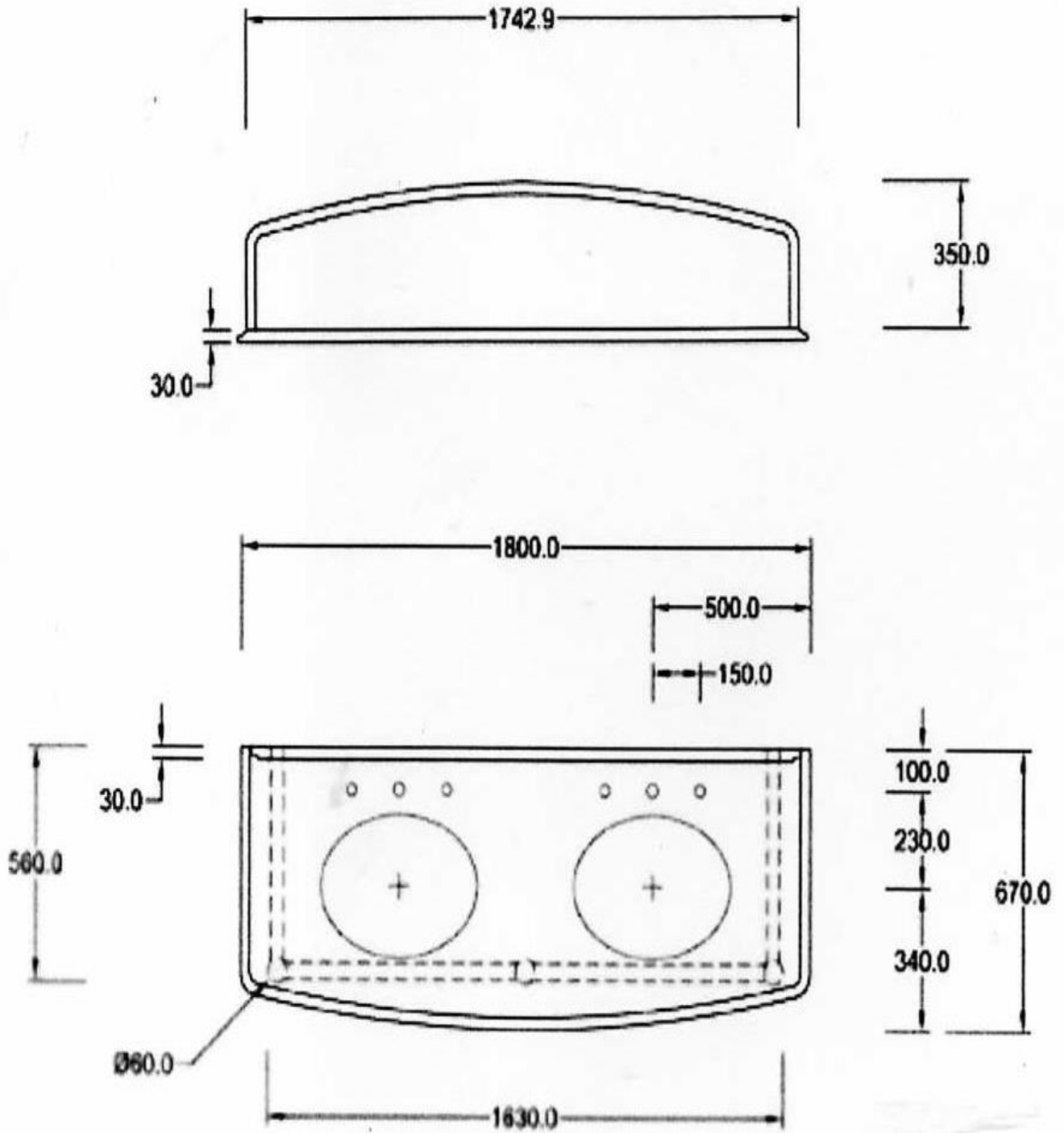
**PRODUCT INFORMATION**

**FIRED EARTH**

Bathrooms

**RAPHAEL CONSOLE**

**Double Console Marble**



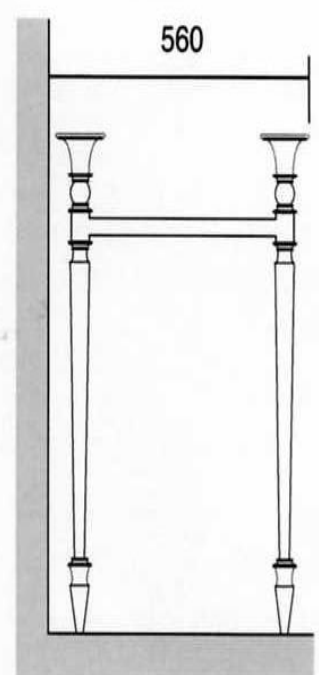
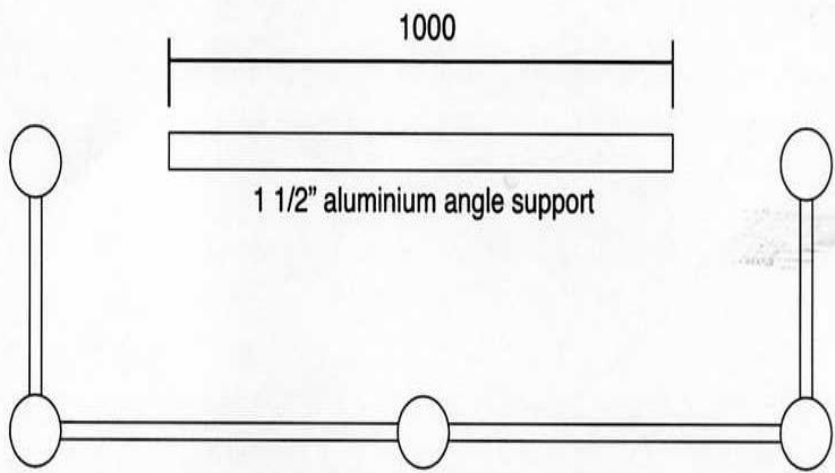
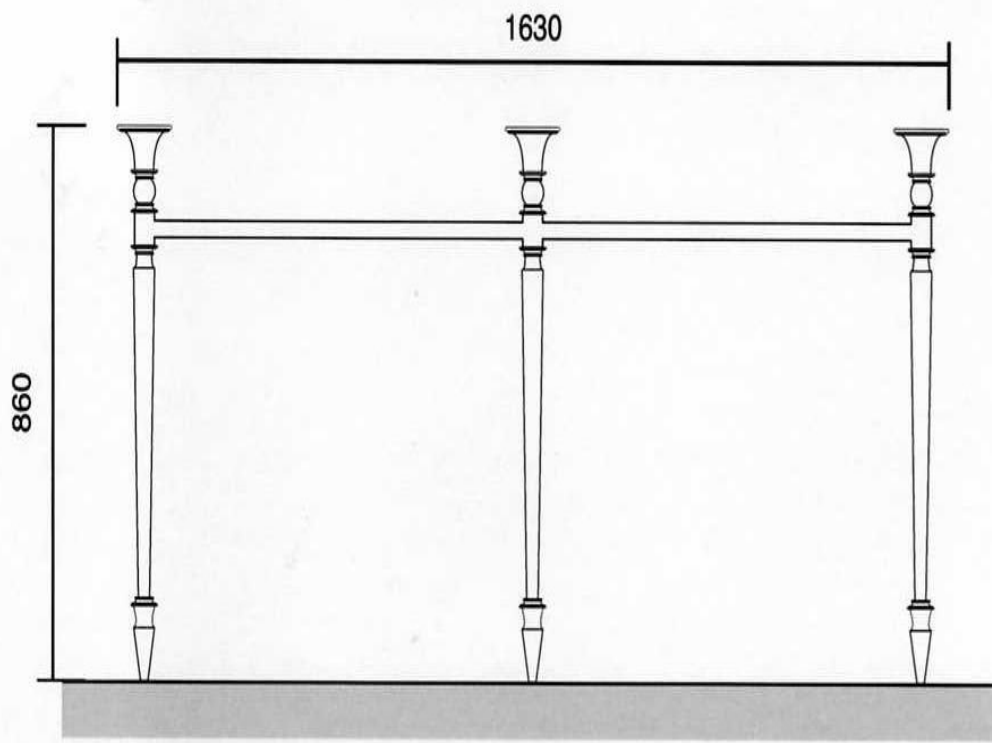
**PRODUCT INFORMATION**

**FIRED EARTH**

Bathrooms

**RAPHAEL CONSOLE**

**Double Console Marble**



**RAPHAEL CONSOLE**

**INSTALLATION GUIDELINES**

**Fixing the stand in position.**

- 1. Drilling the floor to secure the basin stand legs against accidental knocks:**

Place the template provided in the appropriate position. Mark the four 5mm holes with a felt pen.

Remove the template and drill 6mm diameter holes, 5-6mm deep.

**IMPORTANT:**

**If there is a skirting board or similar, the template must be trimmed by the thickness thereof so that the marble sits against the wall in its final position.**

- 2. Fitting the positioning pads to the marble:**

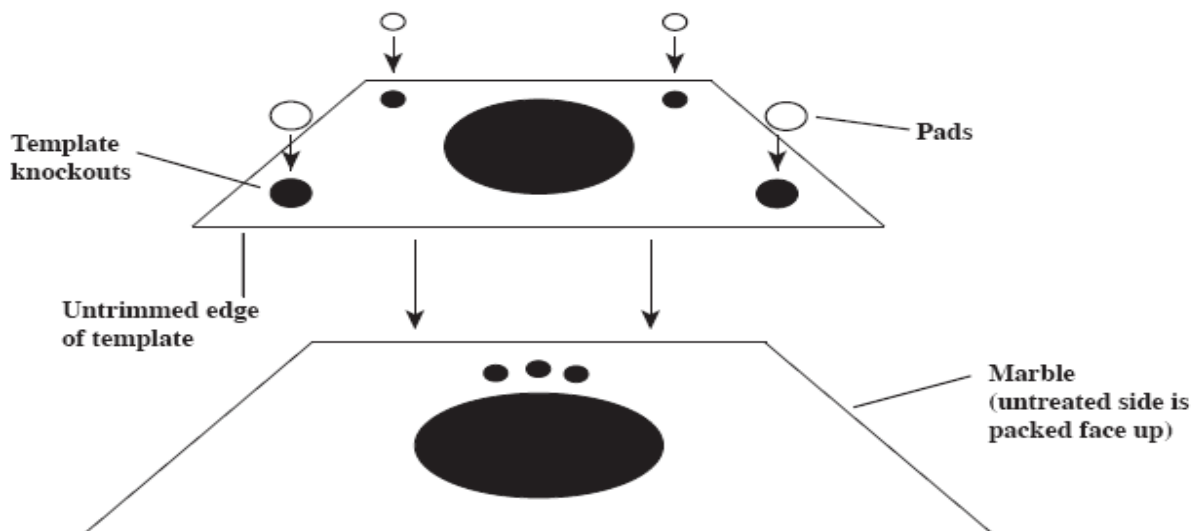
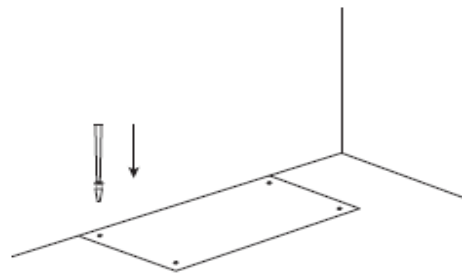
Using the same template remove the 4 knockout discs and offer up the template to the underside of the marble. Glue the four pads onto the marble through the holes in the template using silicon or something similar.

**NOTE:**

**If the template has been trimmed for a skirting board, offer the untrimmed side to the back of the marble.**

- 3. Assembly of the Raphael basin stand:**

Position the basin stand onto the 4 holes in the floor so that the 5 x 5mm pips on the tapered cone feet fit into the holes. The basin stand is now ready for the basin to be fitted.



**RAPHAEL CONSOLE**

**Fitting the bowl to the top:**

Please be aware that the marble top and ceramic bowl are heavy. We suggest that a minimum of two people manoeuvre and lift the products.

1. For ease of installation we suggest that the marble top is placed **face downwards** and supported off the floor. The use of two work benches, or similar, will allow the marble top to be supported at either end and off the floor, while allowing access to the cut out from both above and below. (Ensure the marble top is protected from being scratched with the use of dust sheets between the marble and the bench.)
2. Place the ceramic bowl gently on to the marble top and position centrally and squarely over the cut out in the marble top. (Note that the overflow channel should be towards the front of the marble top). Check that the ceramic bowl is centrally positioned over the cut out area in the marble top and that you are happy with the 'lipping' of the marble top over the edge of the ceramic bowl.
3. Carefully mark the position of the ceramic bowl on the marble top by drawing around the bowl with a pencil. It is critical that the bowl is marked in the correct position.
4. Remove the ceramic bowl from the marble top and ensure that both the rim of the bowl and the marble are clean, dry and free from dust or grease.
5. Very carefully apply a bead of the tubed adhesive to the marble top, keeping the bead of adhesive around the cut out towards the pencil line, rather than the edge of the cut out. Care should be taken to prevent the adhesive from spreading to areas of the marble top where it is not required.
6. Very carefully place the ceramic bowl back on to the marble top, ensuring that it fits to the pencil line and beds in to the adhesive. Again, care should be taken to prevent the adhesive from spreading to areas of the ceramic bowl or marble top where it is not required.
7. Immediately check the ceramic basin and cut out from below in case any adhesive is visible. Remove immediately with a clean, damp cloth.
8. If required, clean the adhesive from around the marble worktop and basin. Tidy the bead of adhesive, if required, by running a thin bead around to form an even bead of adhesive.



**RAPHAEL CONSOLE**

9. Leave the adhesive to cure for 24 hours to ensure a strong bond between ceramic basin and marble top.
10. You may now assemble the ceramic basin and marble top to the frame.

**Installation of the top to the stand.**

Please be aware that the marble top and ceramic bowl are heavy. We suggest that a minimum of two people manoeuvre and lift the products.

1. Carefully lift the marble top, with the ceramic basin attached and position above the stand.
2. Gently lower the marble top and ceramic bowl so as the pads attached to the underside of the marble locate in to the cups on the top of the stand.
3. Run a bead of the tubed adhesive between the back edge of the marble top and the wall.
4. Position the marble splash back on to the marble top and secure in to position on the wall with the tubed adhesive.
5. The taps and waste can now be installed in to the console.

## PRODUCT INFORMATION

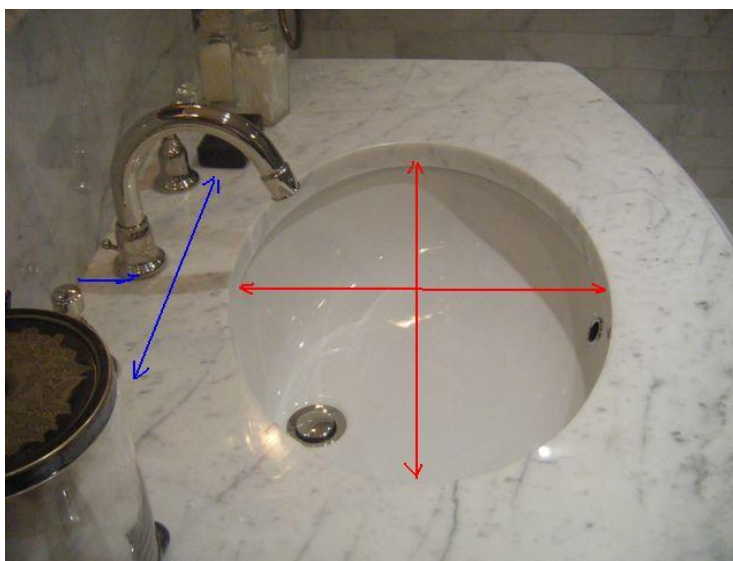
# FIRED EARTH

Bathrooms

### RAPHAEL CONSOLE

#### Installation of the Raphael Console.

Bowl and taps located.



#### Size of bowl aperture:

Length of bowl aperture from side to side = 495mm.

Width of bowl aperture from front to back = 340mm.

#### Valve hole centres:

Tap valve centres = 300mm, valve to spout = 150mm.

Splash back to centre of hole for spout = 70mm

**RAPHAEL CONSOLE**

Bowl stuck to underside of marble top with Geocel 'The Works'.



Underside of console showing positioning of tap valves.



**PRODUCT INFORMATION**

**FIRED EARTH**

Bathrooms

**RAPHAEL CONSOLE**

Positioning pad at top of leg stuck to underside of marble



**RAPHAEL CONSOLE**

**CLEANING AND CARE INSTRUCTIONS**

**Brassware (General)**

To maintain the pleasing appearance of your Bathroom product you must perform periodic and frequent cleaning. For best results clean using a mild soap, rinse thoroughly with warm water and blot dry with a clean, soft cloth. Allowing water to evaporate on metal will form water deposits which may eventually cause corrosive concentration from setting up upon the surface.

**Under no circumstances should an abrasive cleaner or combination cleaner/polish be used on these products. The abrasive nature of such products will eventually destroy the finish and void the warranty.**

In the event of stubborn blemishes shown on the finish, we recommend using a window cleaner with a soft cloth, but we do not recommend it be used on an everyday basis.

**EXPLANATION OF FINISHES**

**Chromium Plate (Chrome)**

This is the hardest wearing finish, perfect for use in all situations, including high traffic public areas in commercial buildings.

**Polished Nickel**

This will require use of a metal polish if its original appearance is required. Alternatively, a wipe clean with a soft cloth only will allow the nickel to oxidise, eventually resulting in a dull pewter-like effect.

**Marble/limestone:**

**Your console has been pre-sealed with **DRY TREAT, stain proof**; however please bear in mind the following care instructions:**

- To maintain the pleasing appearance of your Bathroom product you must perform periodic and frequent cleaning. For best results clean using MN Easycare by Lithofin following the manufacturer's instructions and then blot dry with a clean dry, soft cloth.
  - All stains and spillages should be cleaned up immediately using a blotting method then cleaned with warm soapy water and dried thoroughly using a soft cloth.
  - Please keep soaps in a soap dish and do not allow liquid soaps (particularly those with a citrus or antibacterial content) to stand on the surface.

The marble/limestone finish on your Jessica console may require sealing periodically using **DRY TREAT, stain proof**.

**PRODUCT INFORMATION**

**FIRED EARTH**

Bathrooms

**RAPHAEL CONSOLE**

**WAREHOUSE LONG DESCRIPTION**

**Packaging**

**Weight**

Raphael Stone 10Kg

Raphael Frame Single 25Kg Double 45Kg

Raphael Under Basin 9Kg

**FIRED EARTH**

**Raphael Single/Double Console**