

PRODUCT INFORMATION

Bathrooms – MW: 2012 03 21

FIRED EARTH

Babylon Copper Bath.

External finish in Brushed Copper, with either White Enamel or Polished Nickel.

External finished in Patina Copper, with either White Enamel or Polished Nickel.



REQUIRED EXTRAS

Description	Fired Earth Product Code

COMPLEMENTARY PRODUCTS

Description	Fired Earth Product Code
Wall mounted or Floor standing taps	

Babylon Copper Bath.

External finish in Brushed Copper, with either White Enamel or Polished Nickel.

External finished in Patina Copper, with either White Enamel or Polished Nickel.

FEATURES AND BENEFITS

- Hand made from solid copper. As this is a handmade product, some markings may be seen within the copper sheet – this is to be expected.
- Centrally positioned waste hole, available with or without overflow
- Integrated Plinth.
- Fully rolled edge for strength
- Hand applied patina finish, to the exterior of the patina finished bath.
- Aviation grade lacquer used on the exterior of the ‘Brushed Copper’ finish bath, hard wearing and baked on in the oven.
- Hand finished in the UK
- As an artisan piece it must be born in mind that all dimensions can vary by up to 2%. This must be taken into consideration when planning services etc.
- Supplied with earth bond on base.
- Supplied with a ‘Spin flow’ waste fitting, waste trap and flexible connection.
- Made from 16 and 14 Gauge Copper, this is approximately 1.2mm thick.
- Steel Strengthening rods used around the skirt and base.
- Available with or without an overflow.
- Waste fitting engraved with Fired Earth logo.

Available Finishes:

Exterior:

Patina – Left un-lacquered so will continue to age with a natural patina.

Brushed Copper – lacquered with aviation grade lacquer to prevent tarnishing.

Interior:

White Enamel – hard wearing epoxy enamel.

Polished Nickel – Mirror nickel electroplated.

Available in 3 Sizes

1500mm, 1700mm and 2m

Babylon Copper Bath.

External finish in Brushed Copper, with either White Enamel or Polished Nickel.

External finished in Patina Copper, with either White Enamel or Polished Nickel.

Frequently asked Questions.**How do I clean the Brushed Copper external finish?**

Yes, the Copper Bath, finished in brushed copper externally, is coated with a baked-on, hard wearing compound which maintains the finish and means that the bath only needs to be cleaned with non abrasive, every day bathroom cleaner and wiped with a soft cloth. Developed for the aviation industry, the coating is durable and flexible, allowing it to stand up to the rigors of regular use.

How do I clean the Patina external finish?

This finish is not lacquered and will continue to patina over time. It should require no cleaning as the nature of this finish is that it should continue to age with use.

How do I clean the nickel interior finish?

All surfaces which are Nickel plated are supplied un-coated, as this is a non oxidising element and will need no special maintenance other than cleaning with non-abrasive cleaners and a soft cloth.

How do I clean the enamel interior finish?

This is hard wearing epoxy enamel which maintains the finish and means that the bath only needs to be cleaned with non abrasive, every day bathroom cleaner and wiped with a soft cloth.

Will the Bath be cold or lose heat quickly?

No, this is the most common misconception. Copper is a very good conductor, so as the bath is filling up with warm water, the heat permeates through the bath to give an even, over-all warmth, and in comparison with a cast iron bath the Copper will maintain the heat for much, much longer. Even after the water has been drained away the bath remains warm. If the bath is fitted onto tiles with under-floor heating, the bath maintains constant ambient warmth.

Won't the Bath warm up and be too hot?

Not at all, the Copper will only be as warm as the water poured into it.

Are The Baths Heavy?

A standard Copper Bath only weighs about 45 kg; to put this into perspective a cast iron equivalent weighs around 160 kg. Our Baths can therefore be easily installed by one person and are perfect for projects or renovations where weight is an issue.

Babylon Copper Bath.

External finish in Brushed Copper, with either White Enamel or Polished Nickel.

External finished in Patina Copper, with either White Enamel or Polished Nickel.

Are the Baths comfortable to bathe in?

Oh yes, the design of the Baths allows you to bathe in a more upright position and the generously proportioned curves wrap comfortably around your shoulders. The Baths are deeper than standard baths, ensuring that there are no shoulders or knees above the waterline, encouraging you to luxuriate and soak.

Does the Bath come with any guarantee?

The Bath comes with a 10 year construction guarantee, although as copper is non-corrosive it will last several lifetimes. The finish is covered by a standard 12 month guarantee.

Where do I fit the taps?

The taps can either be wall mounted, or if the bath is positioned in the centre of the room, they can be mounted on stand pipes.

PRODUCT INFORMATION

Bathrooms – MW: 2012 03 21

FIRED EARTH

Babylon Copper Bath.

External finish in Brushed Copper, with either White Enamel or Polished Nickel.

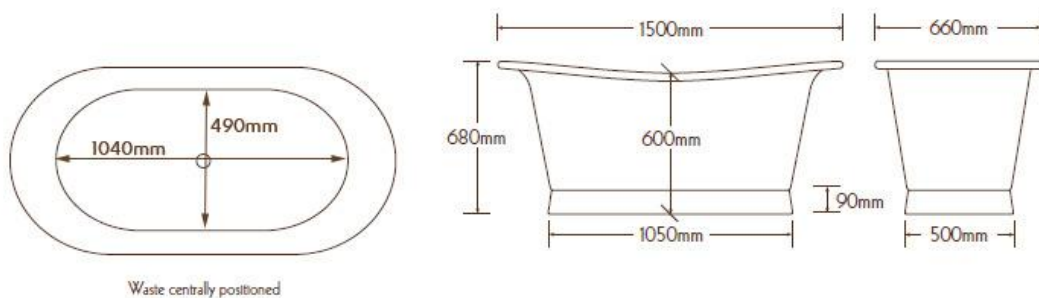
External finished in Patina Copper, with either White Enamel or Polished Nickel.

DIMENSIONAL DRAWINGS



1500 Babylon

weight: 30 kg
capacity: 145 litres



Waste centrally positioned

Waste Options:

Available with or without overflow:

Finishes : Wastes available in Nickel or Chrome finish.

PRODUCT INFORMATION

Bathrooms – MW: 2012 03 21

FIRED EARTH

Babylon Copper Bath.

External finish in Brushed Copper, with either White Enamel or Polished Nickel.

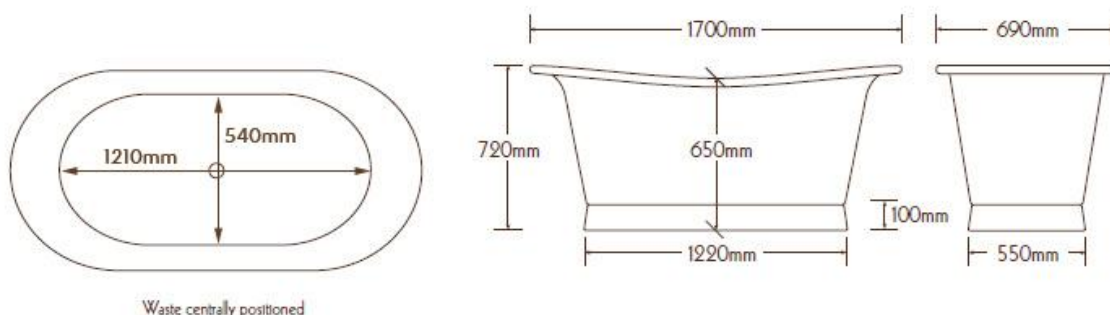
External finished in Patina Copper, with either White Enamel or Polished Nickel.

DIMENSIONAL DRAWINGS



1700 Babylon

weight 40 kg
capacity 250 litres



Waste centrally positioned

Waste Options:

Available with or without overflow:

Finishes : Wastes available in Nickel or Chrome finish.

PRODUCT INFORMATION

Bathrooms – MW: 2012 03 21

FIRED EARTH

Babylon Copper Bath.

External finish in Brushed Copper, with either White Enamel or Polished Nickel.

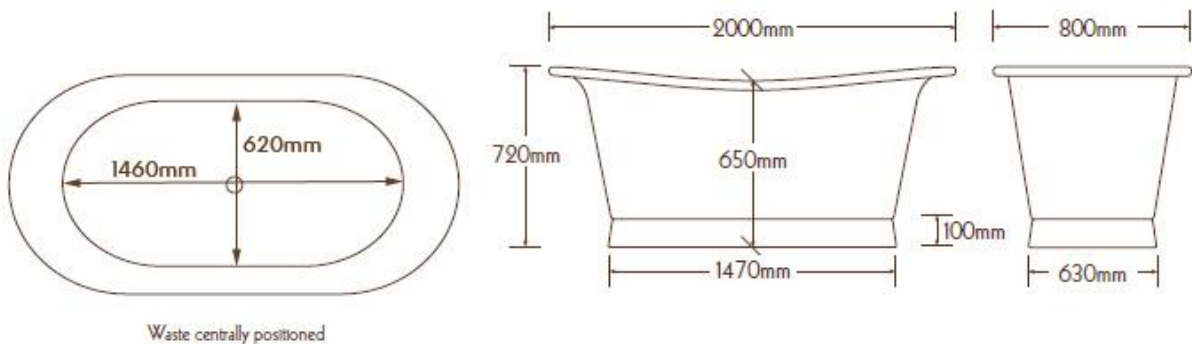
External finished in Patina Copper, with either White Enamel or Polished Nickel.

DIMENSIONAL DRAWINGS



2000 Babylon

weight: 60 kg
capacity: 370 litres



Waste Options:

Available with or without overflow:

Finishes : Wastes available in Nickel or Chrome finish.

PRODUCT INFORMATION

Bathrooms – MW: 2012 03 21

FIRED EARTH

Babylon Copper Bath.

External finish in Brushed Copper, with either White Enamel or Polished Nickel.

External finished in Patina Copper, with either White Enamel or Polished Nickel.

Waste and Overflow Kit for bath with overflow.



Overflow kit comes with spin flow waste, flexi hose, trap and elbow for installation.

Waste for bath with NO overflow

**If bath is supplied with no overflow then an un-slotted waste is used, comes with flexi hose, elbow and trap for installation. Engraved with Fired Earth logo.



PRODUCT INFORMATION

Bathrooms – MW: 2012 03 21

FIRED EARTH

Babylon Copper Bath.

External finish in Brushed Copper, with either White Enamel or Polished Nickel.

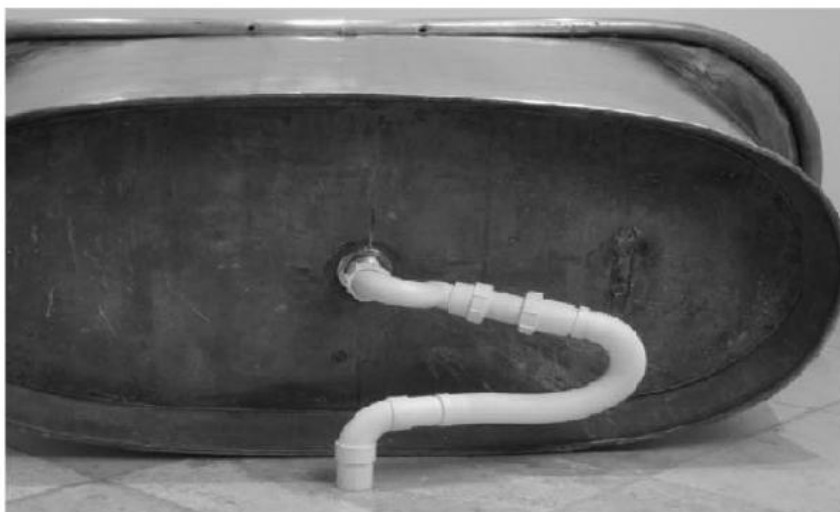
External finished in Patina Copper, with either White Enamel or Polished Nickel.

INSTALLATION GUIDELINES

Please note, the bottom of the trap will sit below the finished floor level!



Firstly, determine where the waste hole of the bath will be positioned. Then bring your waste pipe out of the floor 150 mm in front or behind of it. Fit the trap and flexible waste pipe, as shown.



Attach the 2 pipes together, as shown. Attach the earth wire to the bonding point provided. Put a bead of sealer around the base of the bath and bed into position. It is recommended that prior to sealing the bath is put into position and the seals water tested. N.B. As the baths are handmade dimensions can vary, so it is advisable to leave a tile or floorboard out under the bath to ensure that there is enough clearance for the trap.

Babylon Copper Bath.

External finish in Brushed Copper, with either White Enamel or Polished Nickel.

External finished in Patina Copper, with either White Enamel or Polished Nickel.

CLEANING AND CARE INSTRUCTIONS

To ensure your bath maintains you chosen finish we recommend the following:

- Your bath should be cleaned using non-abrasive bathroom cleaner, warm water and a soft non abrasive cloth.
- If you live in a “hard” water region dry the bath after each use with a soft cloth to prevent lime scale build up.
- Lime scale can be avoided by wiping away drops of water immediately after use. Should you need to use lime scale remover apply to a cloth and dab the affected Area only and then rinse thoroughly.
- Under no circumstances should any form of abrasive cleaner or combination cleaner/ polish be used on this product. The abrasive nature of such products will eventually destroy the finish and void the warranty.
- Do not use abrasive or acidic cleaning products, scouring agents, products containing alcohol, scouring pads or steel wool.

Important Please Read Before Installation

Flux can damage the bath/basin finish

If the water system has been fitted using soldered joints you must flush the system into a bucket before filling the bath/basin to remove any flux residue from the pipes

Seals Must Be Tested Prior To Installation

If your bath has been supplied fitted with an overflow kit please ensure that all rubber seals are tested prior to final installation as the seals can move in transit and are therefore not guaranteed.

The Fitting Guide and Flux Information Will Come Packaged With The Bath.

PRODUCT INFORMATION

Bathrooms – MW: 2012 03 21

FIRED EARTH

Babylon Copper Bath.

External finish in Brushed Copper, with either White Enamel or Polished Nickel.

External finished in Patina Copper, with either White Enamel or Polished Nickel.

WAREHOUSE LONG DESCRIPTION

Weight	30kg – 60 kg
No. boxes per product code	1
Dimensions of outers	Dependant on bath ordered.
Dimensions of inners	
How many inners per outer?	Dependant on order quantity
Agreed packaging standard	
Pallet specification agreed	
Label specification	
FE code	

FIRED EARTH