

PRODUCT INFORMATION

Bathrooms

Fired Earth

LOGIC DOUBLE ENDED BATH

Enamelled Titanium Steel



| Description | Fired Earth Product Code |
|--------------------|---------------------------------|
| L160 x W70cm | LOGBAT160X70DE |
| L170 x W70cm | LOGBAT170X70DE |
| L180 x W80cm | LOGBAT180X70DE |
| L190 x W90cm | LOGBAT190X70DE |

ANCILLARY PRODUCTS

| Description | Fired Earth Product Code |
|---------------------------------------|---------------------------------|
| Built in Bath Waste with Clicker Plug | CLIBATHWASCP |
| Built in Bath waste, Clicker & Filler | CLIWASTE FILLCP |

PRODUCT INFORMATION

Bathrooms

Fired Earth

LOGIC DOUBLE ENDED BATH

Enamelled Titanium Steel

Features and Benefits

- A bath that comes in various sizes.
- Excellent heat conductive properties.
- The inorganic surface is not a breeding ground for bacteria.
- A more durable product than iron, marble or plastic.
- Extremely sturdy thanks to the use of titanium steel.
- Colour stable and non-fading even when subject to UV rays.
- Skin friendly and no loss of warmth through the material.
- No tap holes.

FAQ's

- **Is the Logic bath easy to install?**

Yes, however we would recommend that a qualified installer

- **Which taps should I use?**

Suitable for wall mounted taps with a spout

- **Which waste should I use?**

Either the CLIBATHWASCP or CLIWASTEFILLCP are suitable

- **What thickness is the bath?**

The Titanium Steel is approximately 2.7mm and the Enamel 0.0003mm or (0.0003microns)

- **Can the feet be adjusted?**

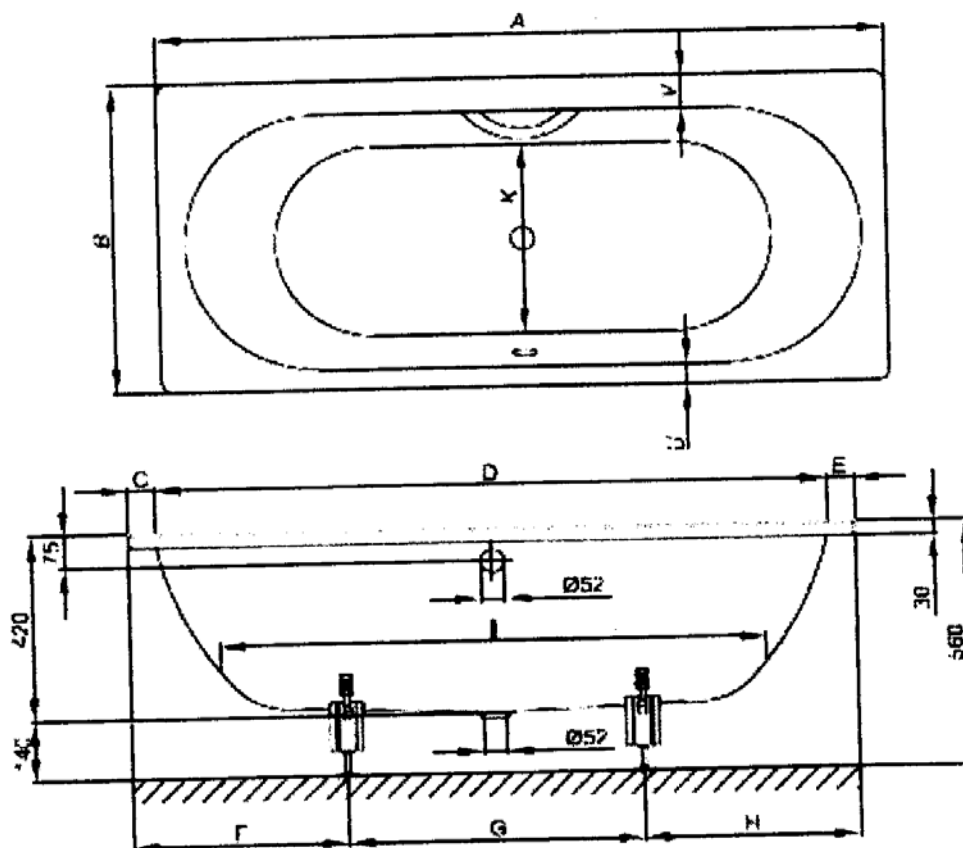
Yes, the feet can be adjusted from a minimum of 12cm to a maximum of 16cm

PRODUCT INFORMATION

Bathrooms

Fired Earth

LOGIC DOUBLE ENDED BATH Enamelled Titanium Steel



size 157x70 cm, article no. 2590

| Dimensions | A | B | C | D | E | F | G | H | I | K | U | V | Volume |
|-----------------|------|-----|----|------|----|-----|-----|-----|------|-----|----|----|--------|
| 160 x 70 x 42cm | 1600 | 700 | 80 | 1440 | 80 | 495 | 610 | 495 | 1170 | 485 | 80 | 80 | 116ltr |
| 170 x 70 x 42cm | 1700 | 700 | 80 | 1540 | 80 | 505 | 690 | 505 | 1270 | 535 | 55 | 55 | 139ltr |
| 180 x 80 x 42cm | 1800 | 800 | 80 | 1640 | 80 | 537 | 726 | 537 | 1370 | 585 | 80 | 80 | 164ltr |
| 190 x 90 x 42cm | 1900 | 900 | 85 | 1740 | 85 | 580 | 740 | 580 | 1465 | 610 | 80 | 80 | 205ltr |

PRODUCT INFORMATION

Bathrooms

Fired Earth

LOGIC DOUBLE ENDED BATH

Enamelled Titanium Steel

Installation Guidelines

Order of Assembly

- Check the bath and dimensions are correct and no damage as been caused in transit.
- Check accessories. Do you have the cradles?
- Please turn the bath upside down with the bottom facing upwards exposing the four felt pads, placing the bath on a dust sheet.
- Put the cradles on the bottom of the bath.
- Pull back the felt exposing the cradle lugs.
- Pull back the cradle lugs and hook the strap into the cradle lugs.
- Fasten the cradles by tightening the nuts on the cradle. When nut snaps off, cradle is at its correct tightness.
- Fix the adjustable feet to even height.
- Carefully turn the bath back around and level it out.
- Fasten the locking nuts.
- Secure the bath with wall bracket or batten (not provided).
- Join the waste and overflow fittings and connect them.
- Then earth the bath and any metal waste fittings according to local regulations.

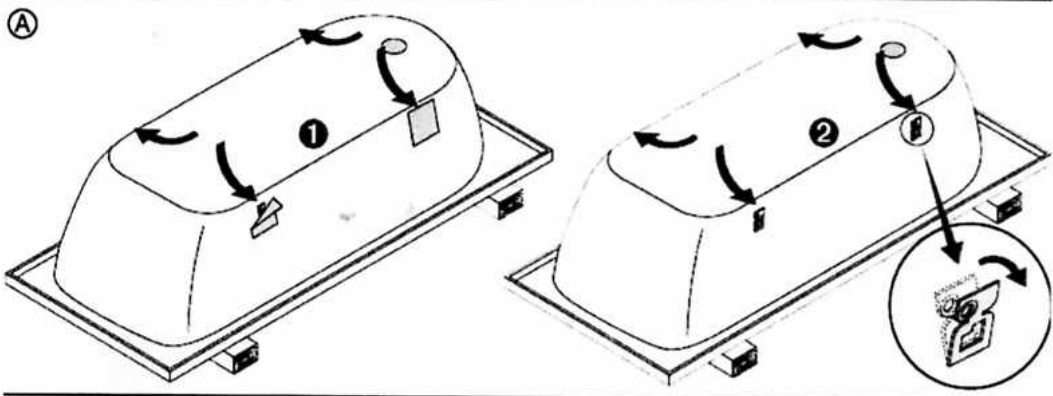
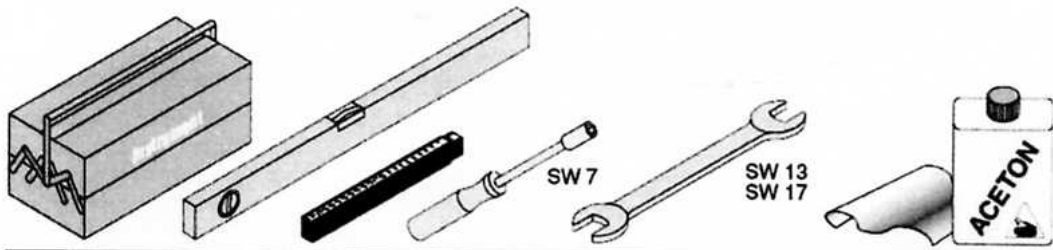
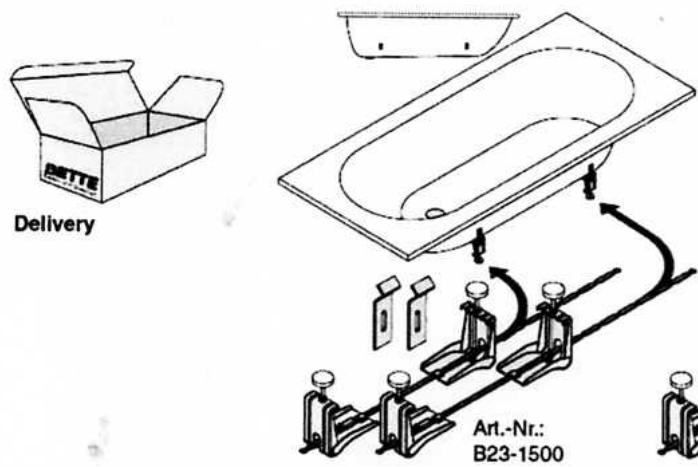
PRODUCT INFORMATION

Bathrooms

Fired Earth

LOGIC DOUBLE ENDED BATH Enamelled Titanium Steel

Installation Guidelines 1



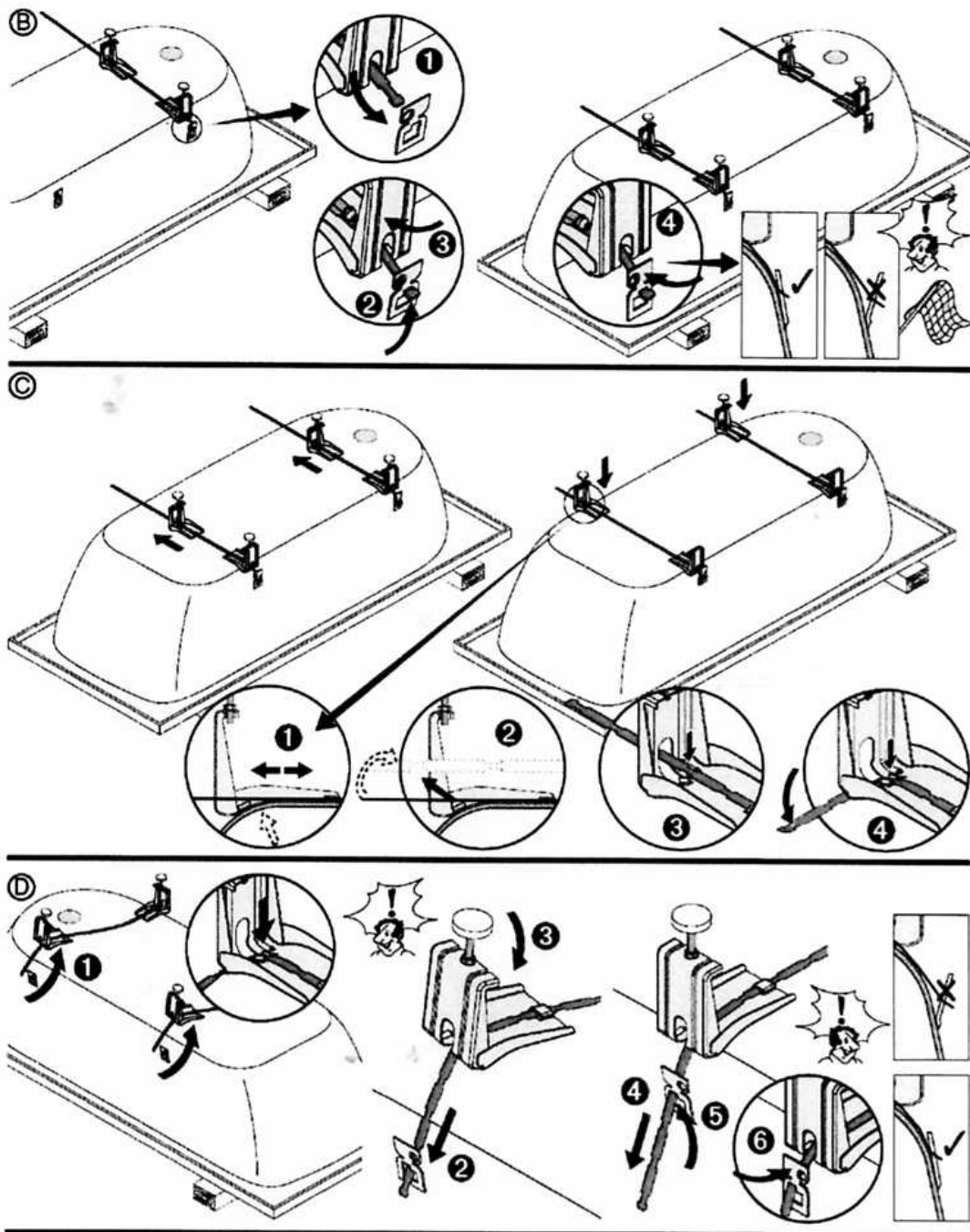
PRODUCT INFORMATION

Bathrooms

Fired Earth

LOGIC DOUBLE ENDED BATH Enamelled Titanium Steel

Installation Guidelines 2



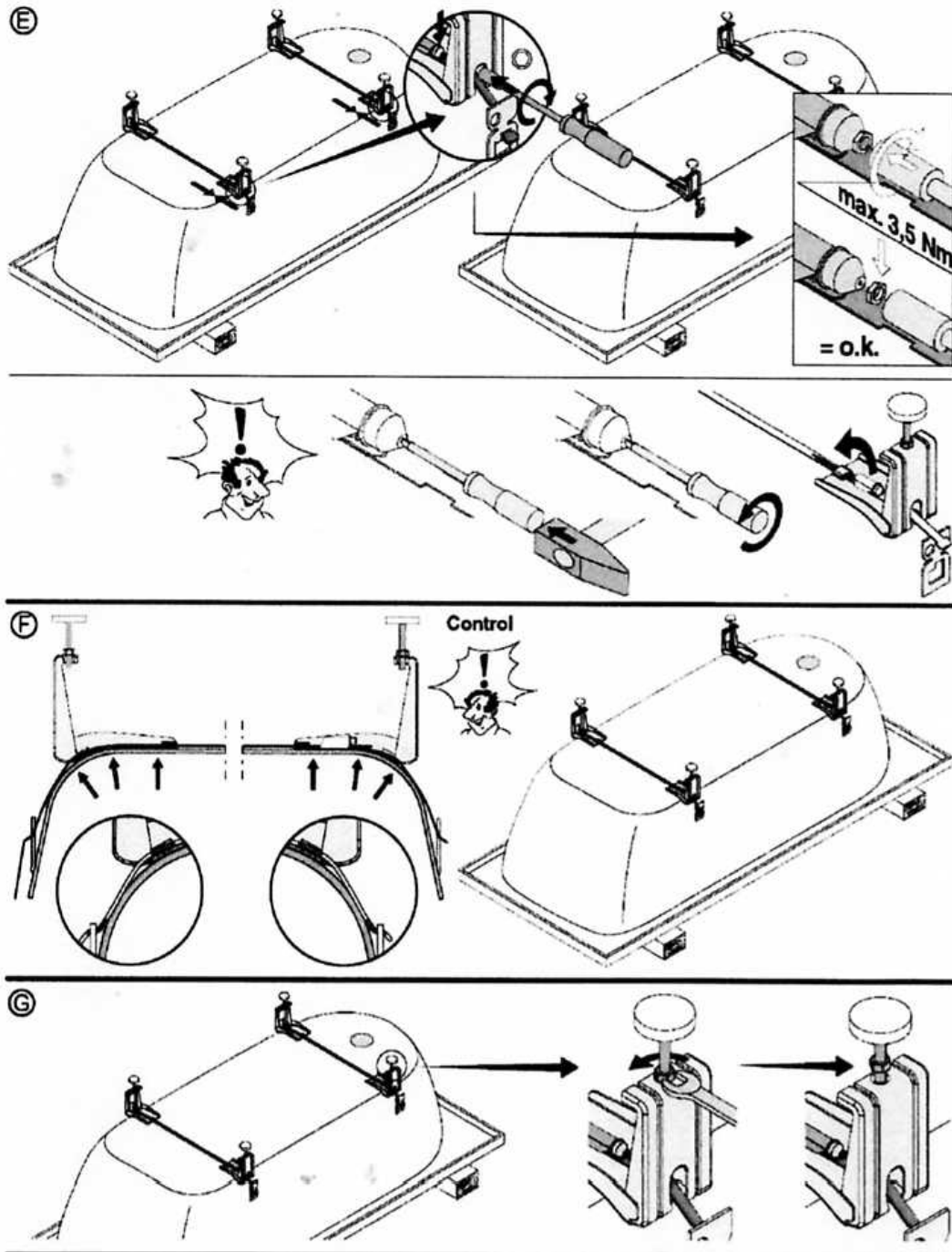
PRODUCT INFORMATION

Bathrooms

Fired Earth

LOGIC DOUBLE ENDED BATH Enamelled Titanium Steel

Installation Guidelines 3



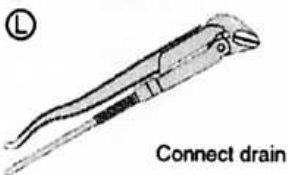
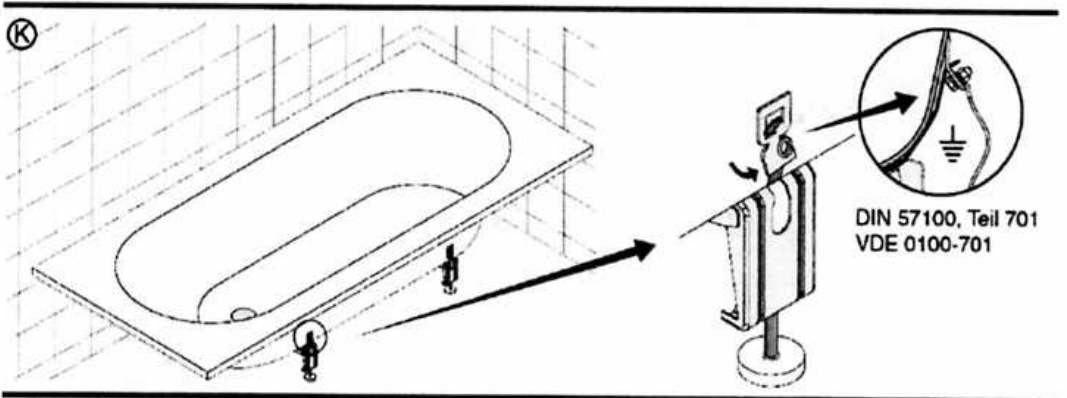
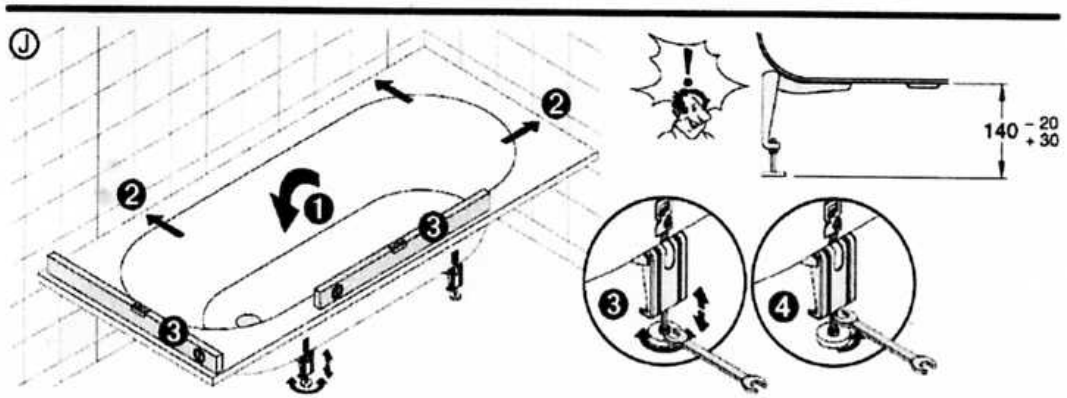
PRODUCT INFORMATION

Bathrooms

Fired Earth

LOGIC DOUBLE ENDED BATH Enamelled Titanium Steel

Installation Guidelines 4



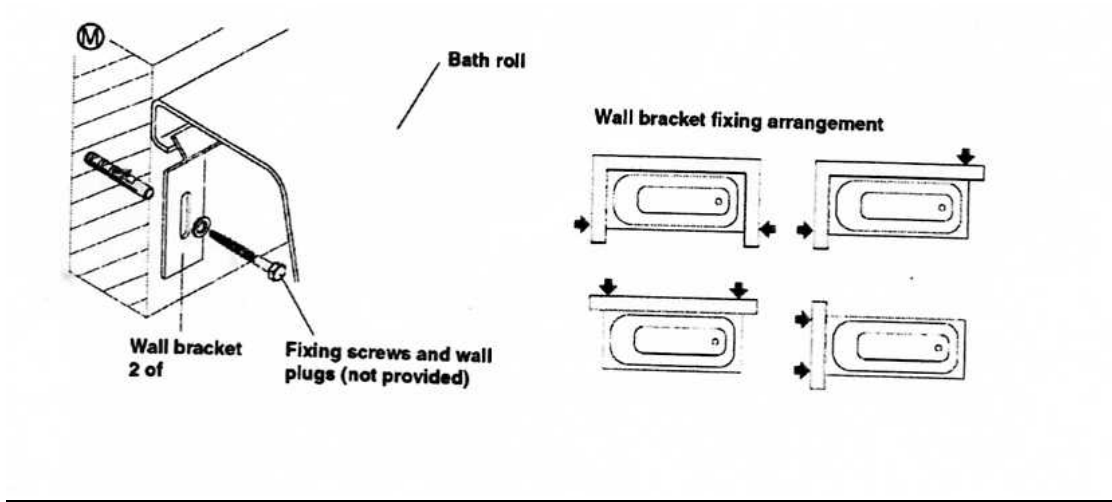
PRODUCT INFORMATION

Bathrooms

Fired Earth

LOGIC DOUBLE ENDED BATH Enamelled Titanium Steel

Installation Guidelines 5



PRODUCT INFORMATION

Bathrooms

Fired Earth

LOGIC DOUBLE ENDED BATH

Enamelled Titanium Steel

GENERAL SPECIFICATION

Capacity

Bath weight Empty: 50Kg to 59Kg (Dependent on Size)

Maximum Weight (Water & Person) 127Kg

Cleaning Care

- Rinse the surface of the enamel with warm water before cleaning.
- Then clean the enamel with a soft, damp cloth.
- Remove stubborn dirt, use non-abrasive household cleaning agents such as washing-up liquid or a mild bathroom cleaner.
- Please observe the manufacturer's instructions and use a soft sponge or cloth.

On no account should the following be used:

- Abrasive cleaning sponges or clothes.
- Abrasive cleaning or chemical cleaning agents.
- Cleaners or disinfectants containing chlorine or phosphoric acid.
- Detergents or suds from an automatic washing machine.

General Specification

No. of tap holes 0