

Hamptons Bath



Product Code: HAMPTONS-BATH (AG/PN)

Features and Benefits

- Elegant double-ended freestanding bath
- Small footprint but with generous interior proportions for a relaxing and comfortable bath.
- Made from a unique self reinforced resin stone: harder and more durable than acrylic, warmer than cast iron, its insulation properties mean you can enjoy longer baths without topping up warm water.
- High gloss finish interior and exterior for extreme durability and stain resistance.
- No tap holes – ideal for freestanding or wall mounted fillers.
- Raised trap void for ease of installation.

FAQ's

Q: How accurate are the manufacturing tolerances?

A: Being a cast product, material thicknesses and product dimensions can vary up to +/- 5%.

Q: Does it retain heat well?

A: Yes, the material thickness and insulating property mean it retains heat better than a steel or acrylic.

Q: Will my bathroom floor take the weight?

A: Most floors should be able to however professional advice should be sought before installation.

Q: How are they delivered?

A: This bath is securely crated. Fitters need to be aware of the weight and present on day of delivery.

Q: Is the bath easy to install?

A: Yes, however we would recommend that a qualified installer is used.

Q: Can I paint the bath?

A: No, the smooth radius from the interior to the exterior means there is no obvious delineation between the inside and out. Instead the bath is supplied with a glossy exterior surface.

Q: What is the percentage of stone to resin?

A: Approximately 80% stone and 20% resin.

Q: How thick are the bath walls?

A: Approximately 20 – 50mm.

Q: What is the diameter of the waste?

A: The waste is a standard 1 1/2" It is sold as an assembly code with the SKIRTWASTE

Product Information

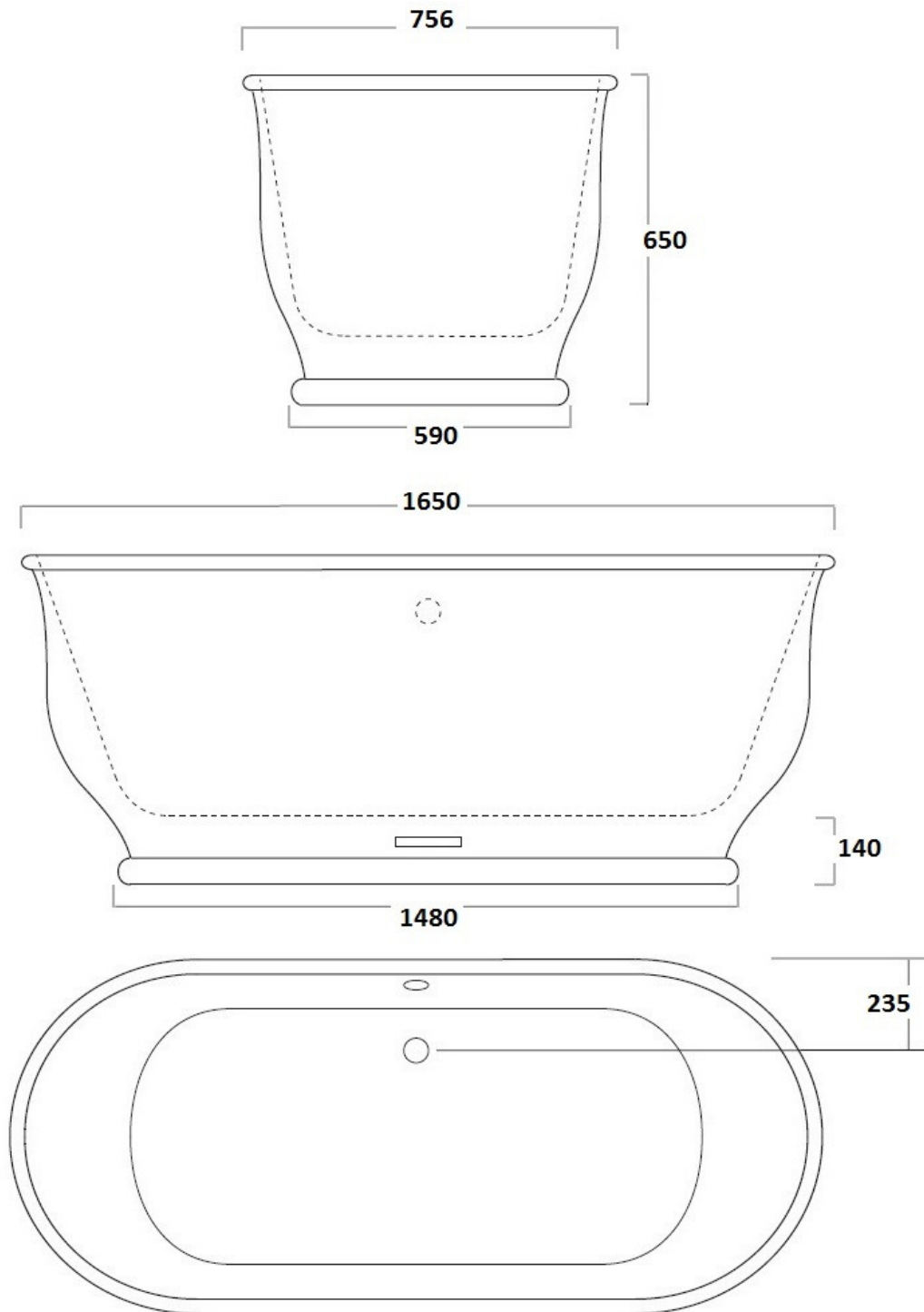
Analysis code 1: BAHA

Available from: May 2015

Ordering process: Special order item. Check PU for current lead time.

Hamptons Bath

Dimensional Drawing



Pack Contents

	Description	Qty
1	HAMPBATH1650	1
2	SKIRTWASTE(AG/PN)	1

The up to date version (controlled document) is on the Fired Earth intranet. Always check any printed version before use.

Hamptons Bath

Installation Instructions

- Please inspect this product immediately on delivery to ensure that it has not been damaged in transit and is complete. Any claim for damage or shortage will not be entertained unless received within 10 working days.
- To ensure this product is installed properly we would recommend that it is installed by a qualified professional contractor.
- Please read the whole of these instructions before installation and follow all guidelines, conforming to local regulations.
- Please refer to the specification and assembly drawings attached.
- Before installation, please inspect this product to ensure that it is the correct model and you have all parts required for proper installation. Please note that due to the hand made nature of the product overall sizes and clearances may differ from those stated in product literature.
- Take all necessary precautions to ensure that all parts are properly protected during installation. Polished and plated surfaces are particularly prone to damage from dirty and incorrect tools; spanners should be suitably lined so as not to damage plated or polished nuts.
- When drilling holes in walls or floors be aware of any existing pipes or cables.
- Due to access restrictions we would recommend an access panel which may help with the installation of the bath waste.
- If the bath is required to be turned upside down, ensure it is placed on a cardboard sheet to avoid any damage on the surface; this operation needs to be done in a very careful manner.
- In most cases the bath waste will generally be required to be connected to the underfloor waste system. This should be carried out by connecting a flexible waste connector between the bath p-trap and the underfloor system.
- If the waste pipe run is to be above the bathroom floor, a 42mm diameter hole/"mouse hole in skirting board" type cut-out will need to be made through the skirt section of the bath allowing the waste pipe to be routed accordingly.
- Carefully upright the bath to its normal position after fitting waste and finally, after installation, remove the protective wrapping from the bath.
- Once all connections have been made and tested as appropriate, four or so dabs of silicone should be used to secure the bath to the floor.
- Following installation, allow all joints to cure before testing for any leaks.

Weight/Capacity

	Bath weight (empty)	Bath Water capacity	Bath weight (full)
HAMPBATH1650	95kgs	233 litres	328 kgs

The up to date version (controlled document) is on the Fired Earth intranet. Always check any printed version before use.

Hamptons Bath

Skirt Waste – included in assembly code



Item	Description	Quantity
A	Fitting Instructions	1
B	Chrome Overflow Tube	1
C	1.1/2 Shallow P Trap	1
D	Chrome waste grid	1
E	Overflow faceplate, plug and chain	1
F	Chrome waste body	1
G	Chrome overflow backplate	1
H	Flexible extension pipe	1

Skirt Waste Installation Guides

- Ensure that the overflow and waste fitting system installed to your bath has been sufficiently tightened and sealed to hold water.
- Decide where the 42mm waste pipework is going to leave the bathroom and prepare the exit wall or floor accordingly.
- Make sure that the bath is high enough off the floor to accept the P trap’s height when installed (otherwise you may need to remove floorboards). If the bath has adjustable feet it may need rising.
- Make sure that the washers are in place.
- Run the 42mm pipework from the bathroom exit point to the P trap.
- Make sure the installation is tested for leaks.

The up to date version (controlled document) is on the Fired Earth intranet. Always check any printed version before use.

Hamptons Bath

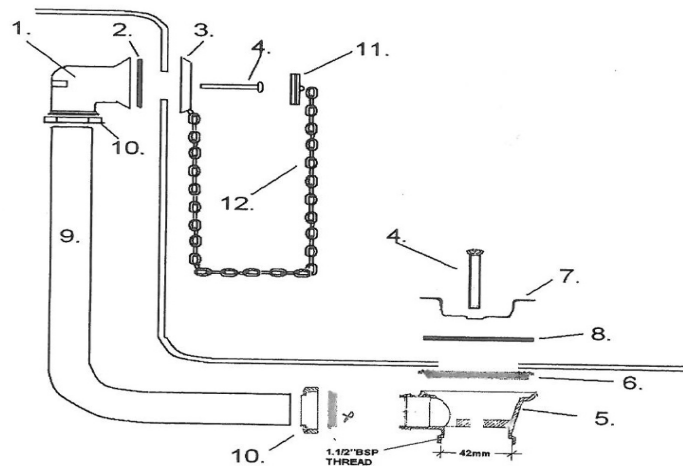
Fitting Instructions

The exposed bath waste has been designed to accommodate the thicker overflow and waste areas of the latest freestanding baths.

The overflow and waste components allow for bath wall and floor thickness up to approximately 40mm.

Overflow Section

- Hold the overflow back section (1) with the rubber seal (2) fitted behind the overflow hole in the bath.
- Position the chrome overflow faceplate (3) and pass the long screw (4) through the faceplate and into the centre of the overflow back section (1).
- Tighten the screw (4) until the whole overflow section stays in place. It may be necessary to cut the screw when installing the waste to 'thinner' baths.



Waste Section

- Place the waste section (5) with the grooved sealing washer (6) below the waste hole in the bath.
- Place the chrome plated top waste grid (7) with the sealing washer (8) below over the internal waste outlet of the bath and pass the waste locking screw (4) through the grid screwing it clockwise into the lower waste section.
- Turn the locking screw (4) slightly anti-clockwise to allow the waste section to turn if necessary.
- Push the top of the chrome overflow tube (9) into the chrome compression nut and sealing ring (10) of the overflow section (1) and hand tighten.
- The horizontal part of the overflow tube (9) fits into the waste section (5) passing through a chrome nut and seal (10). If necessary cut the vertical and / or horizontal parts of the chrome exposed overflow tube (9) to suit the bath.
- Carefully tighten the waste and overflow screws (4) ensuring that all parts are aligned.
- Carefully tighten the compression nuts and test for leaks.

Hamptons Bath**Care & Maintenance**

For everyday cleaning just use a mild cream cleaner such as Cif. Do not use abrasive cleaners as they will remove the gloss finish. Should you need to restore the gloss use the automotive Q3, polishing in circular motions.

Limescale can be removed with vinegar. Rinse several times with warm water and dry with a soft cloth.

Fine scratches can be removed with a damp cloth and a mild cleaner such as Cif active cream.

Deeper scratches may require a more abrasive paper to be used initially. If this is the case work your way up to 1500 grit gradually and re-polish. For best results limit sanding to the smallest possible area around the scratch. It may be possible to polish very fine scratches away without using abrasive papers: scrubbing gently with a soft brush or plastic pad (not metal scouring pad) and a mild cream cleaner. Afterwards scrub the whole area with plenty of clean water and re-polish as before.

Cleaning Your Bath

We recommend a non-abrasive bathroom or kitchen household cleaner. Abrasives will cause the disappearance of the glossy look over a long period. Should you need to clean the bath with an abrasive cleaner, as may be required from time to time, polishing with a car polish or household metal polish will restore the baths' lustre.

PRODUCT INFORMATION

FIRED EARTH

Hamptons Bath

Warehouse Information

Net Weight:	95 kgs
Gross Weight:	120 kgs
No of boxes per product code:	2 – Assembly of bath and waste
Dimensions of outers:	N/A
How many inners per outer:	N/A
Dimensions of inner:	N/A
Agreed packaging standard:	4 way entry bath crate
Label specification: (Inc FE code, weight and PO ref)	<div style="border: 1px solid black; padding: 10px; text-align: center;"><h2>FIRED EARTH</h2><p>HAMPBATH1650</p></div>

The up to date version (controlled document) is on the Fired Earth intranet. Always check any printed version before use.