

PRODUCT INFORMATION

FIRED EARTH

Bathrooms; 4/12/9 Alex Clark

<u>Classic Basin 2TH – Grey Logo</u> CLABAS2
--

Date	Created By	FE Approved By	Supplier Approval
18/11/09	OD		



Features and Benefits

- Only the highest quality clay and glazes used
- Hand finished
- Every piece rigorously inspected at every stage of the manufacturing process
- Manufactured in the UK
- Stocked product so always readily available

FAQ's

- (Q) How do I clean and maintain the product?
- (A) Refer to maintenance section.
- (Q) Is it simple to install?
- (A) Yes but we always suggest that a professional installer is used.

Product Information

Analysis code 1:

Available from:

Ordering process: Normal Order from HO stock

The up to date version (controlled document) is on the Fired Earth intranet. Always check any printed version before use.

Product Manual: Classic Large 2 Hole Basin

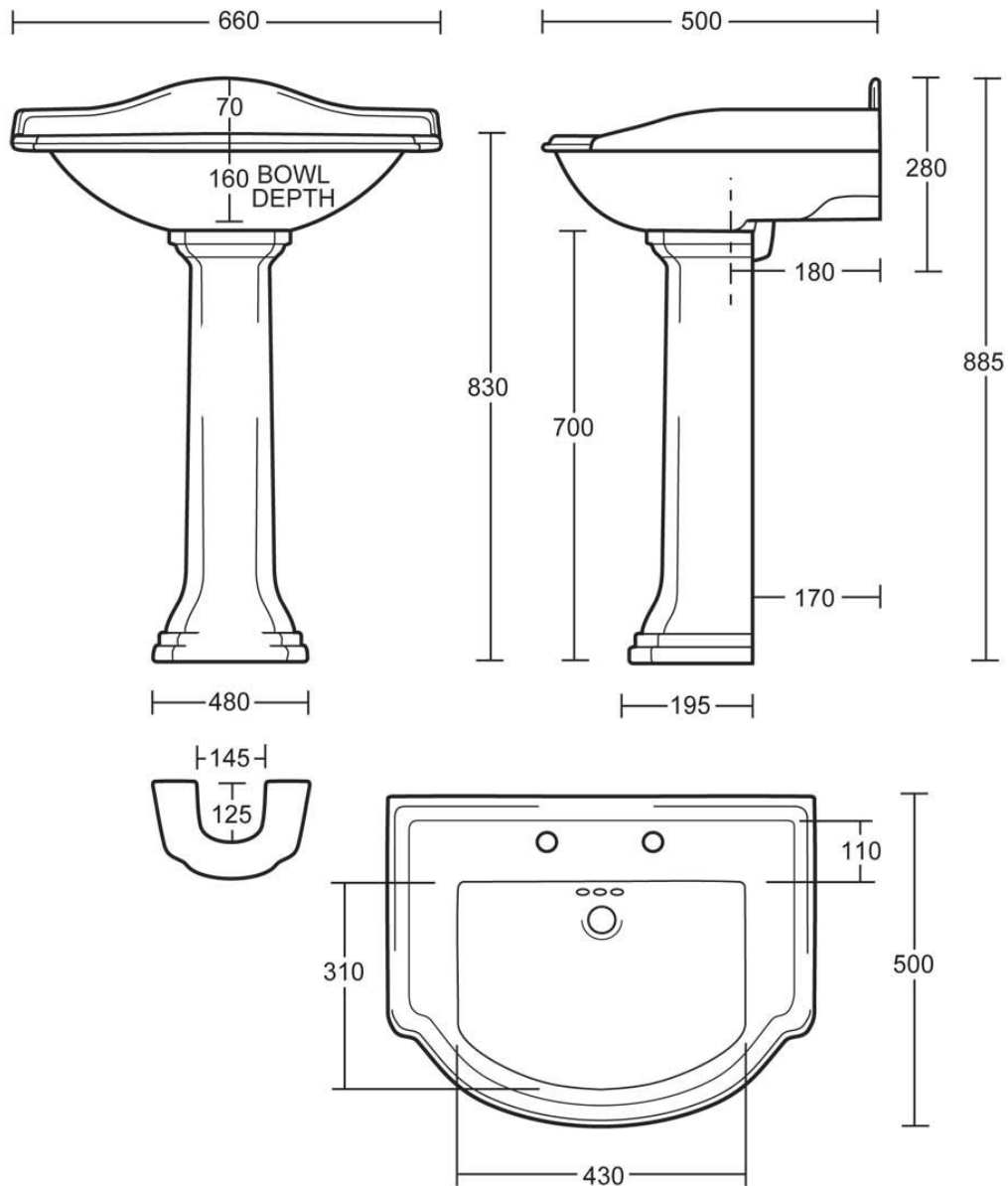
PRODUCT INFORMATION

Bathrooms; 4/12/9 Alex Clark

FIRED EARTH

Classic Basin 2TH – Grey Logo CLABAS2

Dimensional Drawing



The up to date version (controlled document) is on the Fired Earth intranet. Always check any printed version before use.

Classic Basin 2TH – Grey Logo
CLABAS2

Pack Contents



<u>Item</u>	<u>Description</u>	<u>Qty</u>
A	Basin Tabs	2

Maintenance/Care Instructions

The glazed finish of your sanitary ware should be cleaned after use by applying a little cream type cleaner. Apply using a sponge or damp cloth and rinse thoroughly with clean water. Cleaners containing abrasive materials should be avoided.

Installation Instructions

Fired Earth does not supply installation instructions with this product but strongly suggest that the product is fitted by a professional installer.

Fired Earth recommends:

Vitreous China products are extremely hard, non porous but also brittle and therefore should not be put under stress during installation. Basin waste fittings should not be over tightened as this can cause stresses in the ceramic material. Over time this may cause a failure of the product. Waste fittings should be carefully bedded in silicon and the back nut hand tightened. One additional quarter turn using a suitable spanner is sufficient to create the required seal. Care should also be taken when fitting brassware to tap platforms to prevent similar stress related failures. All products should be inspected before installation.

PRODUCT INFORMATION

FIRED EARTH

Bathrooms; 4/12/9 Alex Clark

Classic Basin 2TH – Grey Logo
CLABAS2

Warehouse Description

Packaging

Net Weight: 18.8 Kg

Gross Weight: 19.3 Kg

No of boxes per product code: 1

Dimensions of outers: 670 x 580 x 310mm

How many inners per outer: 0

Dimensions of inner: N/a

Agreed packaging standard: 5mm Double corrugated cardboard, Brown with Fired Earth Printing

Label specification:



Fired Earth Code: CLABA2

The up to date version (controlled document) is on the Fired Earth intranet. Always check any printed version before use.

Product Manual: Classic Large 2 Hole Basin