

PRODUCT INFORMATION

FIRED EARTH

Bathrooms;

Brighton Bath
1700 x 800 x 612mm
BRIGHTONBAT



Description	Fired Earth Product Code
Brighton Bath with Chrome Waste	BRIGHTONBATH
Brighton Bath with Antique Gold Waste	BRIGTONBATHAG
Brighton Bath with Polished Nickel Waste	BRIGHTONBATHPN

COMPLEMENTARY PRODUCTS

Description	Fired Earth Product Code
Freestanding, Deck Mounted or Wall Mounted Taps	Various

PRODUCT INFORMATION

FIRED EARTH

Bathrooms;

Brighton Bath
1700 x 800 x 612mm
BRIGHTONBAT

FEATURES AND BENEFITS

- Manufactured In Britain.
- Manufactured from Corro, a composite material comprising volcanic and organic materials with resin.
- Hard wearing, luxurious and practical.
- Hygienic, with wonderful thermal properties.
- Most everyday marks or scratches can be repaired to restore the bath to its original smooth, hygienic solid surface integrity.
- Hand polished finish.
- Manufactured under Vacuum for a stronger material.
- Specifically designed for user comfort.
- Manufactured in one solid casting.
- Available in the following finishes: White exterior and interior.
- Exterior can be painted to complement your colour scheme.

PRODUCT INFORMATION

FIRED EARTH

Bathrooms;

Brighton Bath
1700 x 800 x 612mm
BRIGHTONBAT

FAQs

Q: How thick is the wall of the bath?

A: 20mm thick.

Q: What is the internal depth of the bath?

A: 498mm at the shallowest point.

Q: What is the normal water capacity of the bath?

A: 265Ltrs approximately.

Q: What is the weight of the bath when empty?

A: 77Kg approximately.

Q: What is the weight of the bath when full of water?

A: 345Kgs approximately. (NB: It is unusual to completely fill a bath with water, please bear in mind that a person getting into a bath will displace approximately one litre of water for each kilo that they weigh)

Q: What characteristics are normal to these Correro made baths?

A: The colour is throughout the bath material and absorbs the ambient temperature of the room so it is warm to the touch and you can enjoy a longer than normal bathing experience.

Q: What paint finish should I use?

A: Fired Earth Eggshell paints are recommended for customising the outside of your bath. Apply to the exterior of the bath only. A layer of clear lacquer can be applied after painting to provide a durable, washable finish.

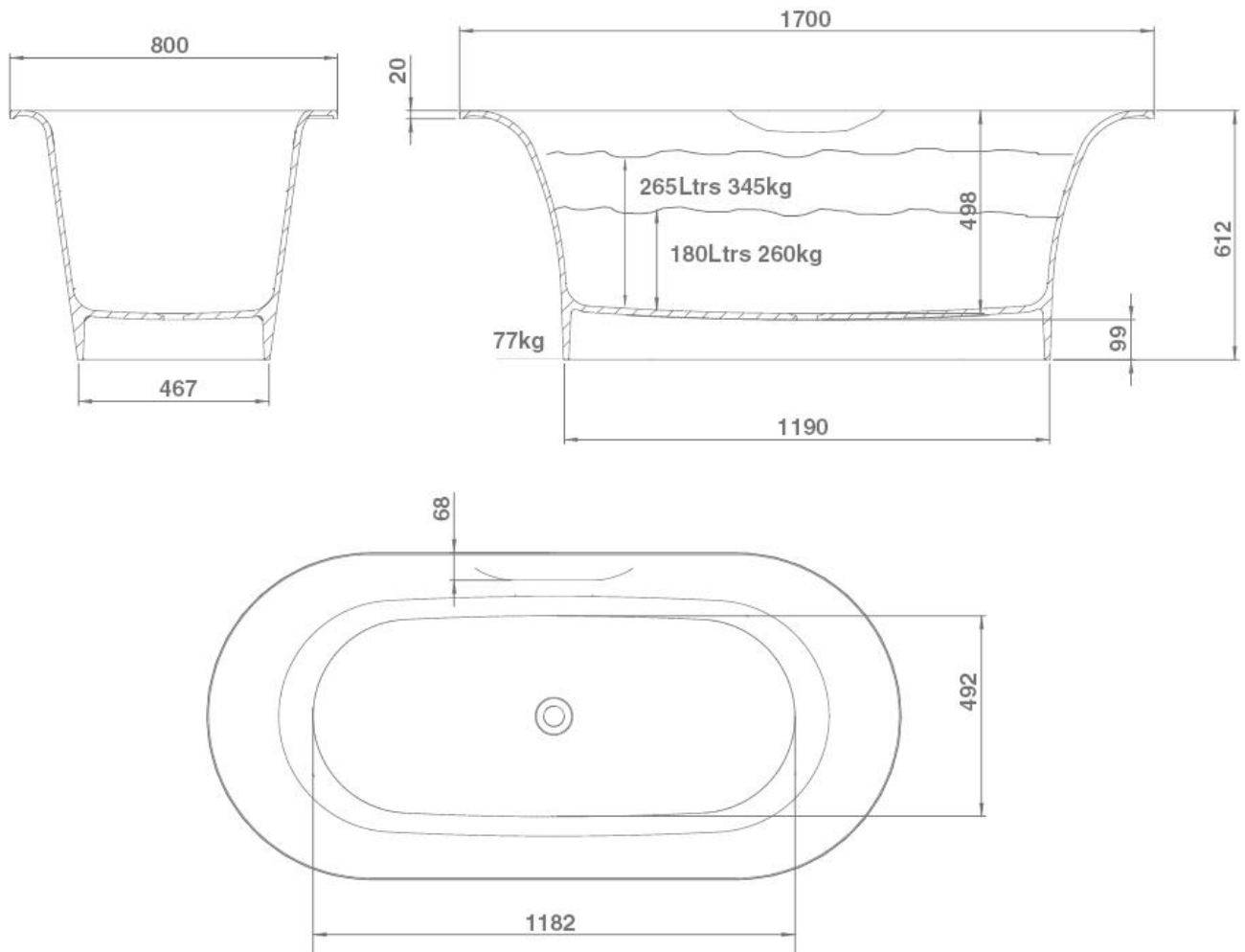
PRODUCT INFORMATION

FIRED EARTH

Bathrooms;

Brighton Bath
1700 x 800 x 612mm
BRIGHTONBAT

DIMENSIONAL DRAWING.



PRODUCT INFORMATION

FIRED EARTH

Bathrooms;

Brighton Bath
1700 x 800 x 612mm
BRIGHTONBAT

INSTALLATION GUIDELINES

- The installation of the bath will be seen as an acceptance of quality.
- Please ensure you thoroughly inspect the bath inside and outside upon delivery.
- It is recommended that a qualified plumber be used to install the bath.
- We will **not** take any responsibility for incorrect installations.
- We do not give any advice on DIY installations.
- We strongly recommend that all protective packaging remains on the bath until all refurbishments are completed.
- Please note that the Brighton bath is supplied with an overflow, waste trap and flexible connection.
- The base of the trap will sit approximately 40mm below the finished floor level.
*Allowance should be made for this during installation of the waste pipework.
- All waste pipework should be in place within the floor before the bath is installed.

SUGGESTED INSTALLATION METHOD

1. Position the bath in the desired location and mark the position of the waste outlet on the floor.
2. Remove the bath and install waste pipework within the floor to a position below the bath and close enough to the marked position, ensuring enough room is allowed to position the trap and flexible connector between the waste pipe and waste outlet.
3. Prepare the bath for installation by fitting the overflow, waste trap and flexible connector.
4. Replace the bath into position. Raising the bath off the floor on blocks of wood (Not supplied) to allow room for the connection of the flexible connector to the waste pipe.
5. Test all connections for any signs of leaks.
6. Remove the blocks of wood and carefully lower the bath into position.

Bathrooms;

Brighton Bath
1700 x 800 x 612mm
BRIGHTONBAT

PAINTING, CARE AND CLEANING INSTRUCTIONS.

Painting Your Bath

Should you wish to paint the exterior of the bath.

1. Sand bath area to be painted with 320 grit sand paper.
2. **Ensure** all of the gloss finish is converted/sanded to a flat matt finish to ensure paint keys to bath. If it isn't properly keyed, the paint will not adhere.
3. Bring bath and paint up to room temperature.
4. Apply paint with a roller.
5. Apply a first light coat and allow to dry before going on with a second (and third) coat to achieve full and even coverage.
6. A layer of clear lacquer can be applied after painting to provide a durable, washable finish.

Care

Fine scratches can be removed with a damp cloth and a mild cleaner such as Cif active cream.

Limescale can be removed with vinegar. Rinse several times with warm water and dry with a soft cloth.

For everyday cleaning just use a mild cream cleaner such as Cif. Do not use abrasive cleaners as they will remove the gloss finish. Should you need to restore the gloss use the automotive Q3, polishing in circular motions.

Deeper scratches may require a more abrasive paper to be used initially. If this is the case work your way up to 1500 grit gradually and re-polish. For best results limit sanding to the smallest possible area around the scratch. It may be possible to polish very fine scratches away without using abrasive papers: scrubbing gently with a soft brush or plastic pad (not metal scouring pad) and a mild cream cleaner. Afterwards scrub the whole area with plenty of clean water and re-polish as before.

Cleaning Your Bath

We recommend a non-abrasive bathroom or kitchen household cleaner. Abrasives will cause the disappearance of the glossy look over a long period. Should you need to clean the bath with an abrasive cleaner, as may be required from time to time, polishing with a car polish or household metal polish will restore the baths' lustre.

Bathrooms;

Brighton Bath
1700 x 800 x 612mm
BRIGHTONBAT

INSTRUCTIONS ON HOW TO DRILL CUSTOM TAP HOLES

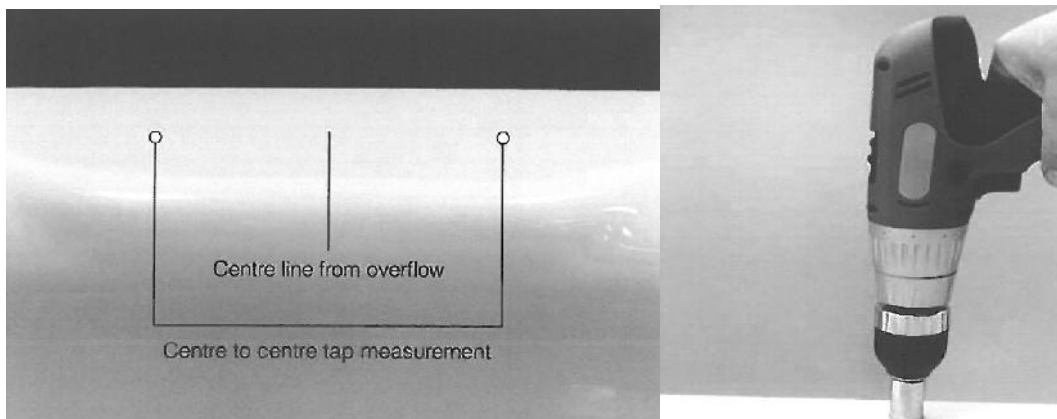
Please read these instructions carefully. We strongly recommend that you use a qualified plumber to install the bath and the taps. Failure to adhere to these instructions will invalidate the manufacturers guarantee and no responsibility will be accepted for any loss of damage.

The drilling of the tap holes will be seen as an acceptance of quality.

You are able to drill Correro™ with standard drill bits and hole saws.

All baths are delivered with no tap holes drilled. The waste and overflow holes are pre-drilled for ease of installation.

- Keep the protective cover sheet over the entire bath to protect the bath during installation.
- Locate the centre of the tap ledge use the centre of the overflow hole as a reference. Mark this line on the tap ledge with a pencil. Ensure the tap is located on the flat area of the ledge of the bath and that there is sufficient space beneath the rim to tighten the locking nuts. Some taps give little room for error.
- Mark the centre to centre dimensions of your taps with a pencil line as indicated in the following photograph. Most taps come with a technical drawing showing the centre to centre dimensions.
- Double check your measurements by placing the taps over the marks before you start drilling.
- Drill pilot holes in the rim at each of the marks using a 35mm sharp hole saw with a centre bit. Align the drill with the markings and gently start drilling through the bath, keep the drill speed moderately slow and apply just enough power to keep the hole saw cutting at an even rate. Allow the sharp saw to carry the downward force without exerting too much pressure.
- Remove any burrs with very light sandpaper.



PRODUCT INFORMATION

FIRED EARTH

Bathrooms;

Brighton Bath
 1700 x 800 x 612mm
BRIGHTONBAT

WASTE INCLUDED - SKIRT WASTE (PARTS LIST)



Item	Description	Quantity
A	Fitting Instructions	1
B	Chrome Overflow Tube	1
C	1.1/2 Shallow P Trap	1
D	Chrome waste grid	1
E	Overflow faceplate, plug and chain	1
F	Chrome waste body	1
G	Chrome overflow backplate	1
H	Flexible extension pipe	1

Bathrooms;

Brighton Bath
1700 x 800 x 612mm
BRIGHTONBAT

SKIRT WASTE (INSTALLATION GUIDELINES)

- Ensure that the overflow and waste fitting system installed to your bath has been sufficiently tightened and sealed to hold water.
- Decide where the 42mm waste pipework is going to leave the bathroom and prepare the exit wall or floor accordingly.
- Make sure that the bath is high enough off the floor to accept the P traps height when installed (otherwise you may need to remove floorboards). If the bath has adjustable feet it may need rising.
- Make sure that the washers are in place.
- Run the 42mm pipework from the bathroom exit point to the P trap.
- Make sure the installation is tested for leaks.

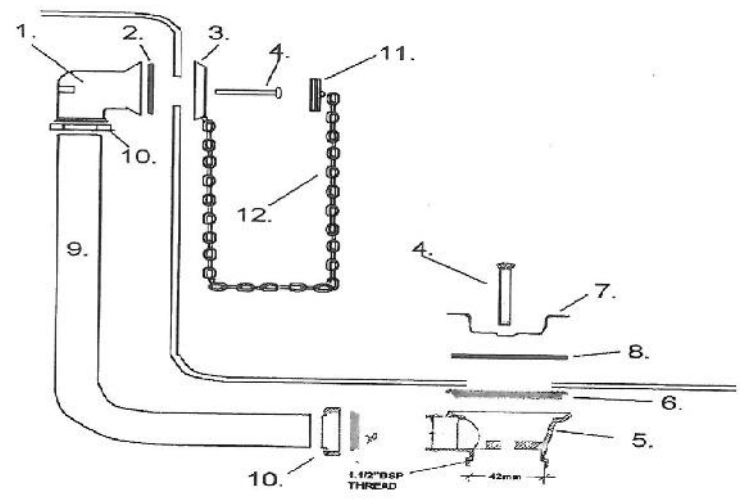
Fitting Instructions

The waste has been designed to accommodate the thicker overflow and waste areas of the latest, so called, “Free Standing” baths.

The overflow and waste components allow for bath wall and floor thickness up to approximately 40mm.

Overflow Section

- Hold the overflow back section (1) with the rubber seal (2) fitted behind the overflow hole in the bath.
- Position the chrome overflow faceplate (3) and pass the long screw (4) through the faceplate and into the centre of the overflow back section (1).
- Tighten the screw (4) until the whole overflow section stays in place. It may be necessary to cut the screw when installing the waste to ‘thinner’ baths.



PRODUCT INFORMATION

FIRED EARTH

Bathrooms;

Brighton Bath
1700 x 800 x 612mm
BRIGHTONBAT

Waste Section

- Place the waste section (5) with the grooved sealing washer (6) below the waste hole in the bath.
- Place the chrome plated top waste grid (7) with the sealing washer (8) below over the internal waste outlet of the bath and pass the waste locking screw (4) through the grid screwing it clockwise into the lower waste section.
- Turn the locking screw (4) slightly anti-clockwise to allow the waste section to turn if necessary.
- Push the top of the chrome overflow tube (9) into the chrome compression nut and sealing ring (10) of the overflow section (1) and hand tighten.
- The horizontal part of the overflow tube (9) fits into the waste section (5) passing through a chrome nut and seal (10). If necessary cut the vertical and / or horizontal parts of the chrome exposed overflow tube (9) to suit the bath.
- Carefully tighten the waste and overflow screws (4) ensuring that all parts are aligned.
- Carefully tighten the compression nuts and test for leaks.

WAREHOUSE LONG DESCRIPTION

Packaging

Weight 77Kg

No. boxes per product code

Dimensions of outers 1700 x 800 x 612mm

FIRED EARTH

**BRIGHTONBATH
BRIGHTONBATHAG
BRIGHTONBATHPN**