

PRODUCT INFORMATION

FIRED EARTH

Bathrooms

BOSTON BATH

1650 x 760 x 770mm

1815 x 870 x 795mm

BOSBAT1650 – BOSBAT1815



Description	Fired Earth Product Code
Boston Bath 1650 with Chrome Waste	BOSBATH1650
Boston Bath 1650 with Antique Gold Waste	BOSBATH1650AG
Boston Bath 1650 with Polished Nickel Waste	BOSBATH1650PN
Boston Bath 1815 with Chrome Waste	BOSBATH1815
Boston Bath 1815 with Antique Gold Waste	BOSBATH1815AG
Boston Bath 1815 with Polished Nickel Waste	BOSBATH1815PN

COMPLEMENTARY PRODUCTS

Description	Fired Earth Product Code
Freestanding or Wall Mounted Taps	Various

PRODUCT INFORMATION

FIRED EARTH

Bathrooms

<p style="text-align: center;"><u>BOSTON BATH</u> 1650 x 760 x 770mm 1815 x 870 x 795mm BOSBAT1650 – BOSBAT1815</p>
--

FEATURES AND BENEFITS

- Made from a unique self reinforced resin stone – warm to the touch unlike cast iron: harder and more durable than acrylic.
- High insulation properties – enjoy longer baths: less topping up with warm water.
- High gloss interior finish for extreme durability and stain resistance.
- Easily paintable exterior – chose the exact colour to suit your décor.
- Comes supplied without tap holes – ideal for freestanding or wall mounted fillers.
- Raised trap void for ease of installation.

FAQ's

Q: How accurate are the manufacturing tolerances?

A: Being a resin stone cast product, material thicknesses and product dimensions can vary up to +/- 5%.

Q: Does it retain heat well?

A: This self reinforced resin stone bath will retain heat much better than a steel or acrylic bath due to the heat insulating properties of the materials used and the thickness of the material.

Q: Will my bathroom floor take the weight?

A: Most properties should be able to take the weight of a resin stone bath, however, sometimes with slight modification. We would always recommend that you seek professional advice before installation.

Q: How are they delivered?

A: This bath is securely crated from the factory. Please ensure your fitters are aware of the weight of the bath you have ordered and are present on day of delivery.

Q: Is the bath easy to install?

A: Yes, however we would recommend that a qualified installer is used.

Q: Can I paint the bath?

A: Yes the exterior of the bath comes already painted with primer (which may require a coat of sugar soap).

Bathrooms

BOSTON BATH
1650 x 760 x 770mm
1815 x 870 x 795mm
BOSBAT1650 – BOSBAT1815

Q: What paint should I use?

A: Fired Earth Eggshell paints are recommended for customising the outside of your bath.
Apply to the exterior of the bath only. A layer of clear lacquer can be applied after painting to provide a durable, washable finish.

Q: What is the percentage of stone to resin?

A: Approximately 80% stone and 20% resin.

Q: How thick are the bath walls?

A: Approximately 15 – 20mm.

Q: What is the diameter of the waste?

A: The waste is a standard 1.3/4"

PRODUCT INFORMATION

Bathrooms

FIRED EARTH

BOSTON BATH

1650 x 760 x 770mm

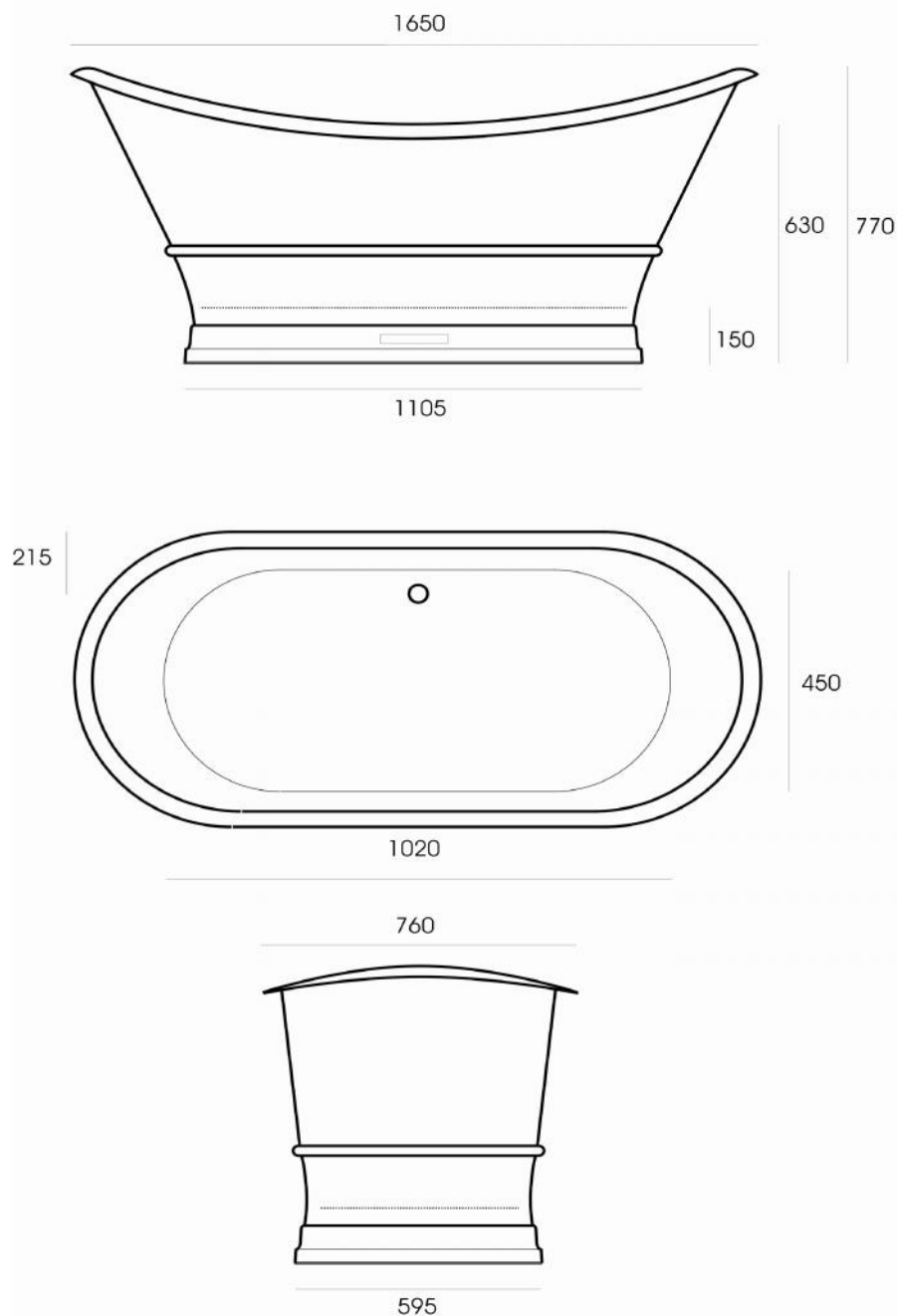
1815 x 870 x 795mm

BOSBAT1650 – BOSBAT1815

DIMENSIONAL DRAWING

Boston Bath 1650 x 760 x 770mm

All dimensions in millimetres



PRODUCT INFORMATION

Bathrooms

FIRED EARTH

BOSTON BATH

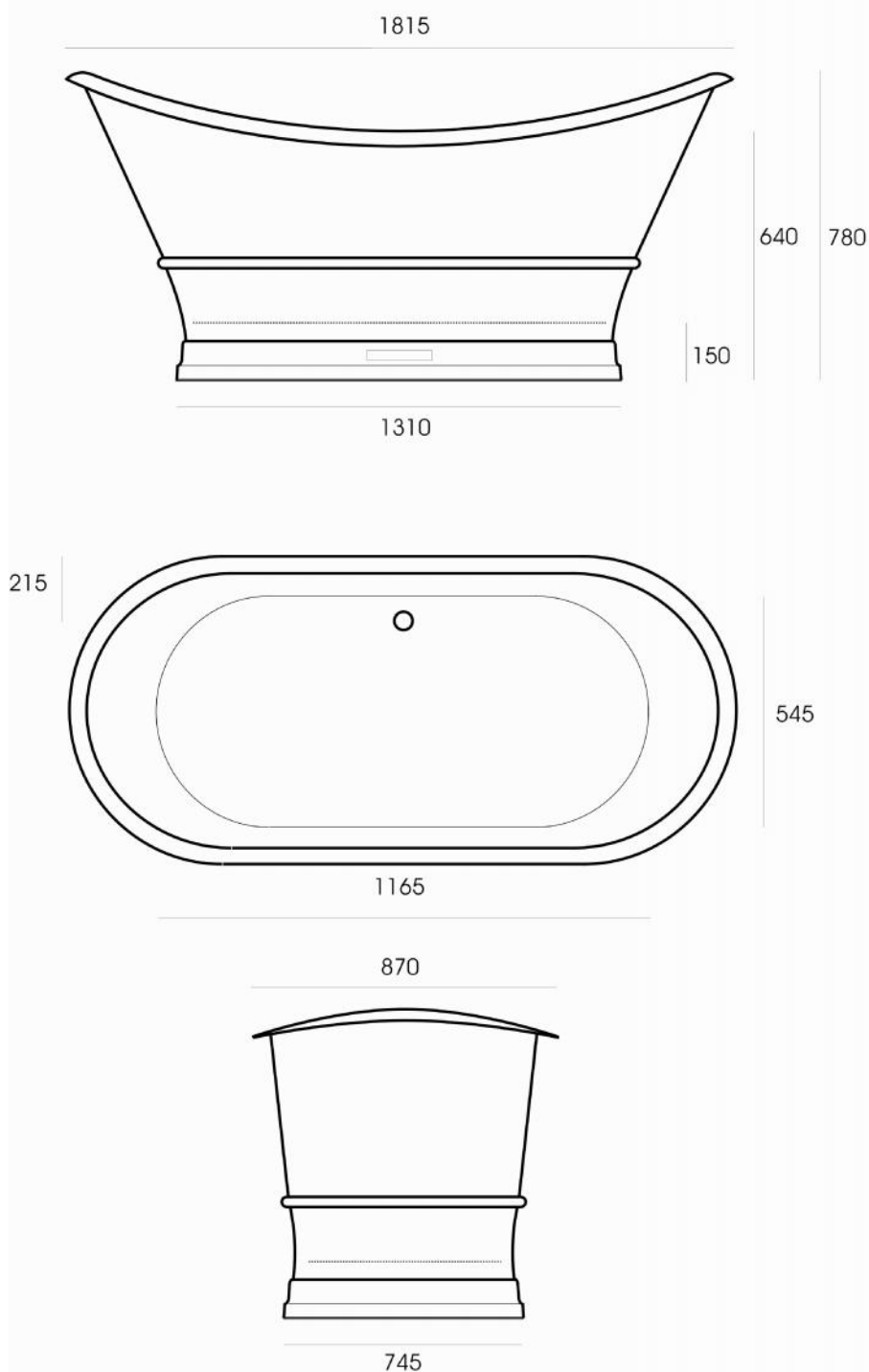
1650 x 760 x 770mm

1815 x 870 x 795mm

BOSBAT1650 – BOSBAT1815

Boston Bath 1815 x 870 x 795mm

All dimensions in millimetres



PRODUCT INFORMATION

FIRED EARTH

Bathrooms

<p style="text-align: center;"><u>BOSTON BATH</u> 1650 x 760 x 770mm 1815 x 870 x 795mm BOSBAT1650 – BOSBAT1815</p>
--

INSTALLATION GUIDELINES

- Please inspect this product immediately on delivery to ensure that it has not been damaged in transit and is complete. Any claim for damage or shortage will not be entertained unless received within 10 working days.
- To ensure this product is installed properly we would recommend that it is installed by a qualified professional contractor.
- Please read the whole of these instructions before installation and follow all guidelines, conforming to local regulations.
- Please refer to the specification and assembly drawings attached.
- Before installation, please inspect this product to ensure that it is the correct model and you have all parts required for proper installation. Please note that due to the hand made nature of the product overall sizes and clearances may differ from those stated in product literature.
- Take all necessary precautions to ensure that all parts are properly protected during installation. Polished and plated surfaces are particularly prone to damage from dirty and incorrect tools; spanners should be suitably lined so as not to damage plated or polished nuts.
- When drilling holes in walls or floors be aware of any existing pipes or cables.
- Due to access restrictions we would recommend an access panel which may help with the installation of the bath waste.
- If the bath is required to be turned upside down, ensure it is placed on a cardboard sheet to avoid any damage on the surface; this operation needs to be done in a very careful manner.
- In most cases the bath waste will generally be required to be connected to the underfloor waste system. This should be carried out by connecting a flexible waste connector between the bath p-trap and the underfloor system.
- If the waste pipe run is to be above the bathroom floor, a 42mm diameter hole/"mouse hole in skirting board" type cut-out will need to be made through the skirt section of the bath allowing the waste pipe to be routed accordingly.
- Carefully upright the bath to its normal position after fitting waste and finally, after installation, remove the protective wrapping from the bath.
- Once all connections have been made and tested as appropriate, four or so dabs of silicone should be used to secure the bath to the floor.
- Following installation, allow all joints to cure before testing for any leaks.

Weight/Capacity

Boston Bath model	Bath weight (empty)	Bath Water capacity
BOSBAT1650	54 Kg	175 litres
BOSBAT1815	63 Kg	231 litres

PRODUCT INFORMATION

Bathrooms

FIRED EARTH

BOSTON BATH
1650 x 760 x 770mm
1815 x 870 x 795mm
BOSBAT1650 – BOSBAT1815

WASTE INCLUDED - SKIRT WASTE (PARTS LIST)



Item	Description	Quantity
A	Fitting Instructions	1
B	Chrome Overflow Tube	1
C	1.1/2 Shallow P Trap	1
D	Chrome waste grid	1
E	Overflow faceplate, plug and chain	1
F	Chrome waste body	1
G	Chrome overflow backplate	1
H	Flexible extension pipe	1

BOSTON BATH
 1650 x 760 x 770mm
 1815 x 870 x 795mm
 BOSBAT1650 – BOSBAT1815

SKIRT WASTE (INSTALLATION GUIDELINES)

- Ensure that the overflow and waste fitting system installed to your bath has been sufficiently tightened and sealed to hold water.
- Decide where the 42mm waste pipework is going to leave the bathroom and prepare the exit wall or floor accordingly.
- Make sure that the bath is high enough off the floor to accept the P traps height when installed (otherwise you may need to remove floorboards). If the bath has adjustable feet it may need rising.
- Make sure that the washers are in place.
- Run the 42mm pipework from the bathroom exit point to the P trap.
- Make sure the installation is tested for leaks.

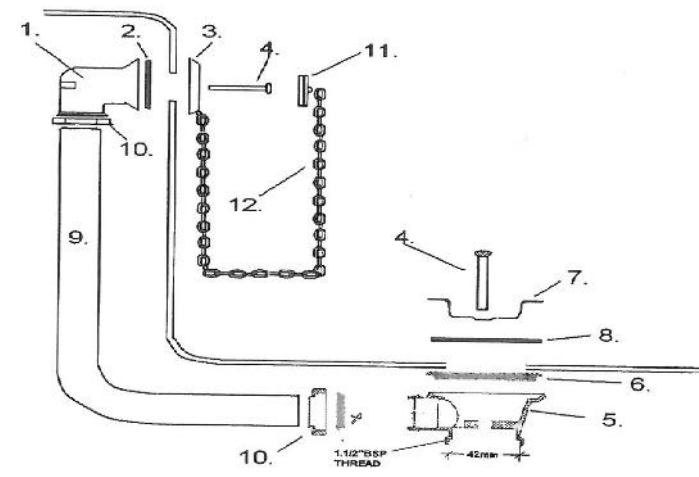
Fitting Instructions

The exposed bath waste has been designed to accommodate the thicker overflow and waste areas of the latest, “Free Standing” baths.

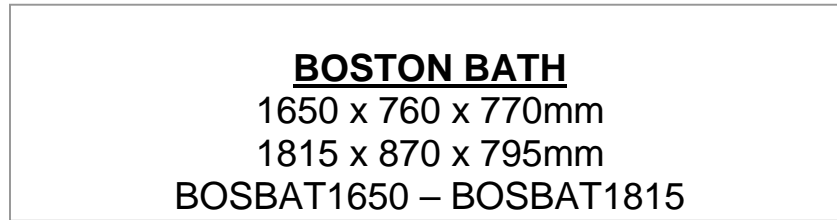
The overflow and waste components allow for bath wall and floor thickness up to approximately 40mm.

Overflow Section

- Hold the overflow back section (1) with the rubber seal (2) fitted behind the overflow hole in the bath.
- Position the chrome overflow faceplate (3) and pass the long screw (4) through the faceplate and into the centre of the overflow back section (1).
- Tighten the screw (4) until the whole overflow section stays in place. It may be necessary to cut the screw when installing the waste to ‘thinner’ baths.

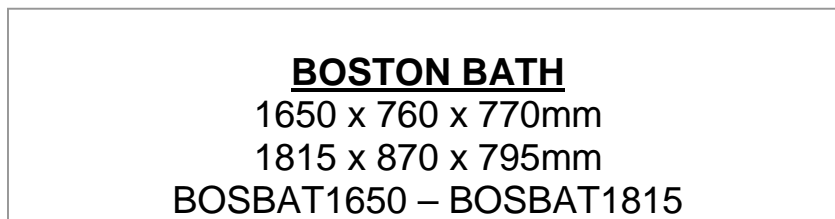


Bathrooms



Waste Section

- Place the waste section (5) with the grooved sealing washer (6) below the waste hole in the bath.
- Place the chrome plated top waste grid (7) with the sealing washer (8) below over the internal waste outlet of the bath and pass the waste locking screw (4) through the grid screwing it clockwise into the lower waste section.
- Turn the locking screw (4) slightly anti-clockwise to allow the waste section to turn if necessary.
- Push the top of the chrome overflow tube (9) into the chrome compression nut and sealing ring (10) of the overflow section (1) and hand tighten.
- The horizontal part of the overflow tube (9) fits into the waste section (5) passing through a chrome nut and seal (10). If necessary cut the vertical and / or horizontal parts of the chrome exposed overflow tube (9) to suit the bath.
- Carefully tighten the waste and overflow screws (4) ensuring that all parts are aligned.
- Carefully tighten the compression nuts and test for leaks.

**PAINTING, CARE AND CLEANING INSTRUCTIONS.****Painting Your Bath**

Should you wish to paint the exterior of the bath.

1. Sand bath area to be painted with 320 grit sand paper.
2. **Ensure** all of the gloss finish is converted/sanded to a flat matt finish to ensure paint keys to bath. If it isn't properly keyed, the paint will not adhere.
3. Bring bath and paint up to room temperature.
4. Apply paint with a roller.
5. Apply a first light coat and allow to dry before going on with a second (and third) coat to achieve full and even coverage.
6. A layer of clear lacquer can be applied after painting to provide a durable, washable finish.

Care

Fine scratches can be removed with a damp cloth and a mild cleaner such as Cif active cream.

Limescale can be removed with vinegar. Rinse several times with warm water and dry with a soft cloth.

For everyday cleaning just use a mild cream cleaner such as Cif. Do not use abrasive cleaners as they will remove the gloss finish. Should you need to restore the gloss use the automotive Q3, polishing in circular motions.

Deeper scratches may require a more abrasive paper to be used initially. If this is the case work your way up to 1500 grit gradually and re-polish. For best results limit sanding to the smallest possible area around the scratch. It may be possible to polish very fine scratches away without using abrasive papers: scrubbing gently with a soft brush or plastic pad (not metal scouring pad) and a mild cream cleaner. Afterwards scrub the whole area with plenty of clean water and re-polish as before.

Cleaning Your Bath

We recommend a non-abrasive bathroom or kitchen household cleaner. Abrasives will cause the disappearance of the glossy look over a long period. Should you need to clean the bath with an abrasive cleaner, as may be required from time to time, polishing with a car polish or household metal polish will restore the baths' lustre.

PRODUCT INFORMATION

FIRED EARTH

Bathrooms

BOSTON BATH

1650 x 760 x 770mm

1815 x 870 x 795mm

BOSBAT1650 – BOSBAT1815

WAREHOUSE LONG DESCRIPTION

Packaging

Weight **BOSBAT1650 - 54Kg – BOSBAT1815 - 63Kg**

No. boxes per product code

Dimensions of outers **1800 x 1000 x 1000mm**

FIRED EARTH

**BOSBATH1650
BOSBATH1650AG
BOSBATH1650PN
BOSBATH1815
BOSBATH1815AG
BOSBATH1815PN**