

Battersea Washstand
BATWAS

Date	Created By	FE Approved By	Supplier Approval
01/02/11	HD		
16/12/11	OD		

**Features and Benefits**

- High quality Brass with a beautiful chrome finish
- Elegant alternative to pedestal option
- Stocked product so always readily available

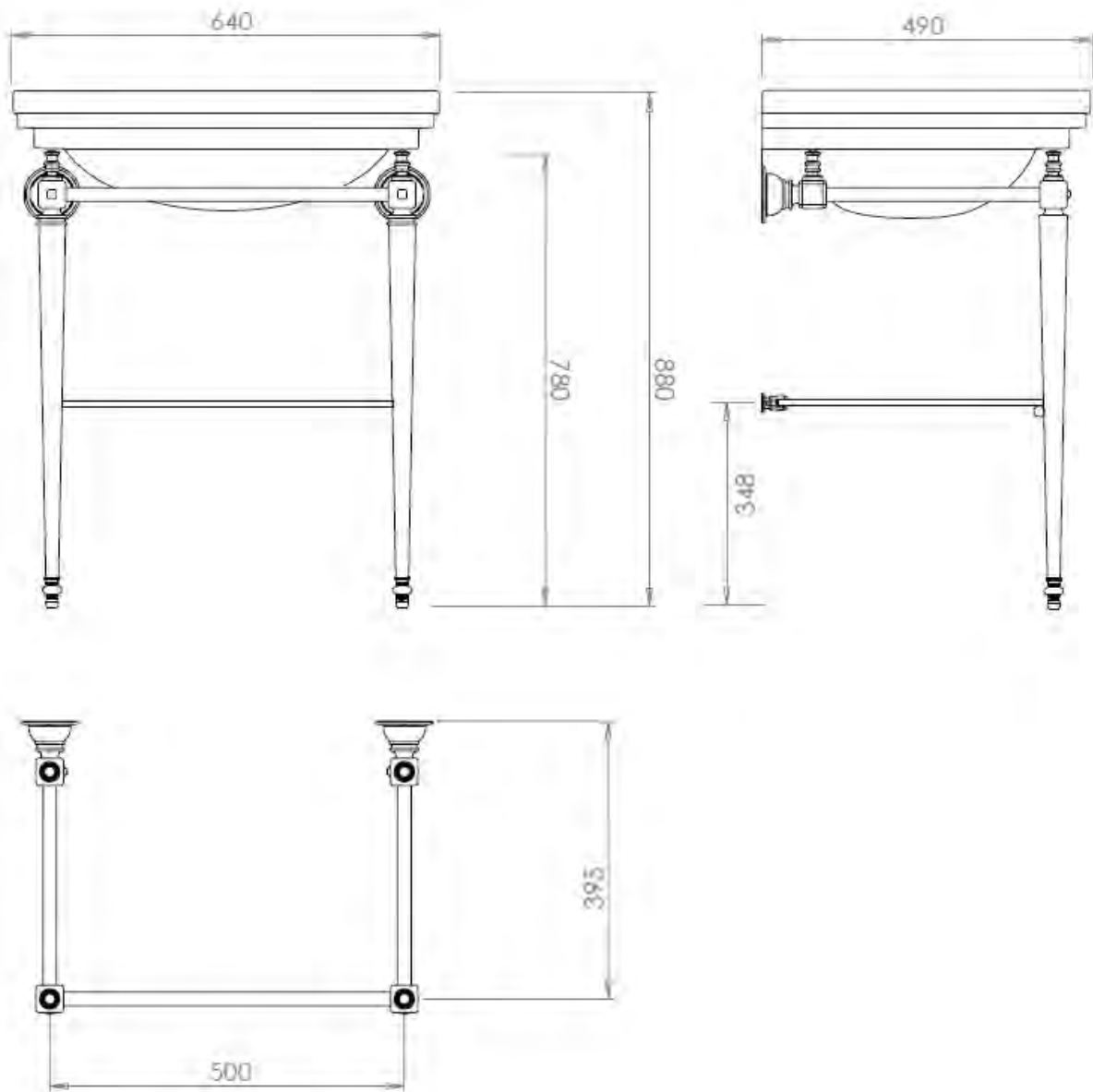
FAQ's

- (Q) Will this stand fit other basins?
- (A) No, it is specifically designed for the Battersea Basin. Other basins have their own stand options.
- (Q) Is it simple to install?
- (A) Yes but we always suggest that a professional installer is used.
- (Q) Is it heated?
- (A) No.

Product Information**Analysis code 1:****Available from:****Ordering process:** Normal Order from HO stock

Battersea Washstand
BATWAS

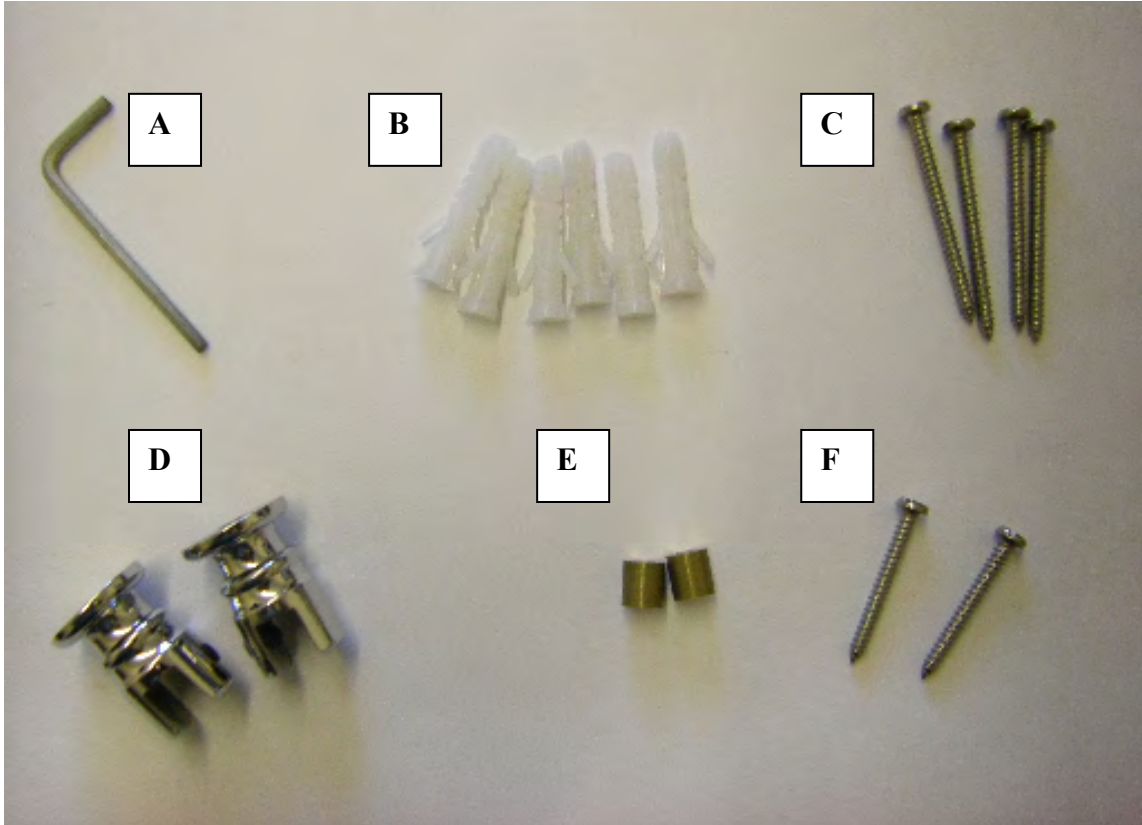
Dimensional Drawing



The up to date version (controlled document) is on the Fired Earth intranet. Always check any printed version before use.

Battersea Washstand
BATWAS

Pack Contents



<u>Item</u>	<u>Description</u>	<u>Qty</u>
A	Hex Key	1
B	Screw Plugs	6
C	Screws (50mm long)	4
D	Shelf Studs	2
E	Floor Pegs	2
F	Screws (40mm long)	2

Bathrooms

Battersea Washstand
BATWAS

Battersea Washstand
BATWAS

Introduction

Thank you for purchasing this product. These instructions relate to the following products.



Battersea Stand



Classic Stand

Before you start:

Check you have the necessary tools for the installation. It is advisable to prepare a clear area to assemble the products. Lay a soft blanket or sheet to protect the metal finish from scratches.

Tools Required



Hand Held Drill



Safety Goggles



Spirit Level



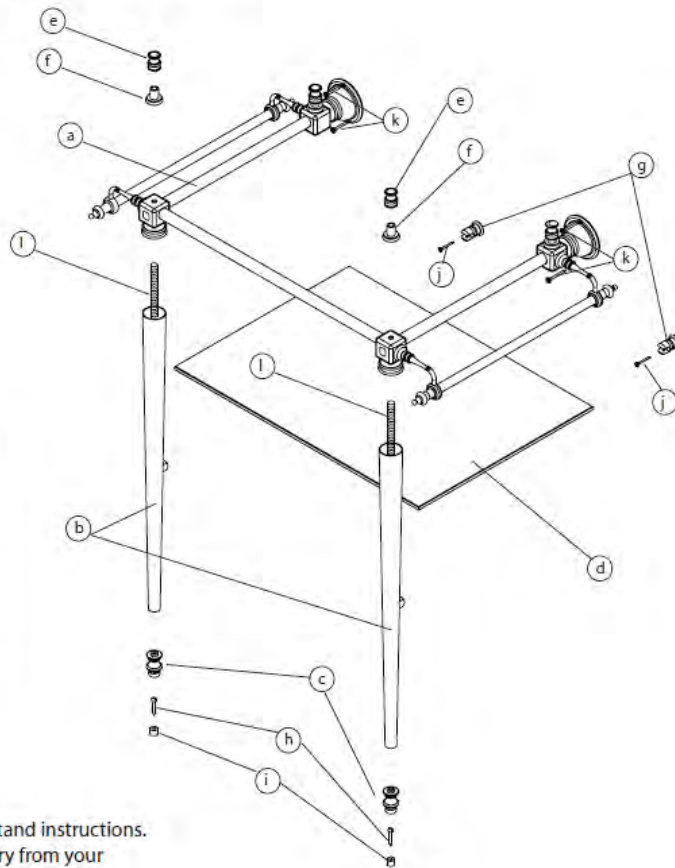
Tape Measure



Pencil

Assembly Instructions

Ref	Part	Qty
a	Assembled Top Frame	x1
b	Leg Tube	x2
c	Foot	x2
d	Glass Shelf	x2
e	Adjustor Cap	x2
f	Adjustor Base	x2
g	Shelf Studs	x2
h	Floor Screws	x2
i	Floor Peg	x2
j	Stud Screws	x2
k	Wall Screws	x4
N/a	Rawl Plugs	x4
l	Threaded Rod	x2

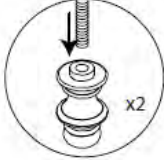


Please Note: These are generic basin stand instructions.
The product shown may vary from your purchased item.

Battersea Washstand
BATWAS

FIRED EARTH

1: Screw the Threaded Rod (l) into the Foot (c). Repeat this for the other foot.



2: Slide the Leg Tub (b) over the Threaded Rod (l). Repeat. Insert this into the underside of the Top Frame (a)

3: Secure Leg into place by screwing the Adjustor Base (f) onto the section of Threaded Rod (l) protruding from the upper side of the Top Frame (a).

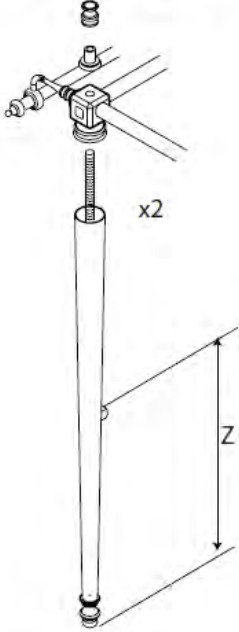
4: Screw the Adjustor Cap (e) into position as shown.

5: Position the assembled stand in the required position against the wall to which it is to be attached.

6: Ensure that the legs are standing fully upright and perpendicular to the floor. Also ensure that the side rails are sitting square and true to the wall.

7: Mark the wall where the screw holes will need to be drilled. Mark the floor around the foot of the unit.

8: Measure the distance marked Z on the diagram and add 4mm to determine the correct height for the Shelf studs to be affixed to the wall. The spacing of the two Studs should be the width of the shelf -30mm. It is suggested that each stud should be inset from the edge of the glass by 15mm. Mark the wall according to this guideline.



CAUTION: Before carrying out the following steps ensure there is no hidden pipework or cables in the area that you intend to drill. Always ensure that you take the necessary safety precautions.

8: Remove the stand from the wall and drill appropriate sized holes for the insertion of screw plugs. Insert plugs into wall.

9: If necessary drill pilot holes into the floor where the location of the floor pegs will be.

10: Position the floor pegs carefully and screw them into position.

NOTE: It may be wise at this stage to double check that the holes and markings for fixing are correct. Ensure that the stand will stand square and true to the wall and floor.



CAUTION: Affixing the floor pegs is a critical measure in ensuring the safe and proper installation of this product. This is a health and safety measure and must be carried out in order to maintain the structural integrity of the stand.

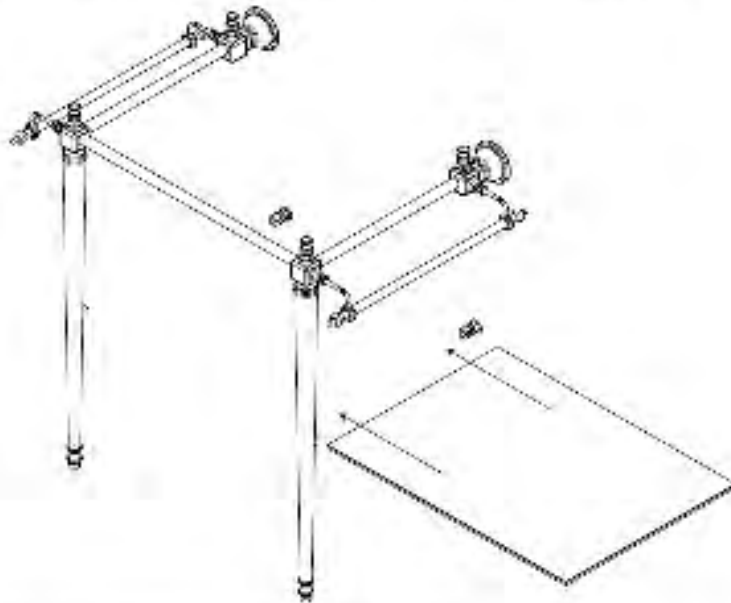
11: Locate the stand onto the floor pegs and align the holes in the fixing rose with the plugs in the wall. Using the screws fix the stand into position.

12: Carefully lower the basin into location and check that the product sits level. Fine adjustments can be made by rotating the Adjustor Caps. Once you are fully happy with the fit of the basin on the stand run a bead of silicon along the back face of the basin and ensure contact with the wall is made. At this stage please complete the necessary plumbing in of taps and waste fittings.

Battersea Washstand
BATWAS

FIRED EARTH

1c) Carefully slide the glass shelf into position and secure by tightening the grub screw in the underside of the shelf studs.



CAUTION: Always carry on the following steps where there is no further placement or sockets in the area that you intend to drill. Always ensure that you take the necessary safety precautions.

- 8) Remove the stand from the wall and drill appropriately sized holes for the insertion of screw plugs. Insert plugs into wall.
- 9) If necessary drill pilot holes into the floor where the location of the floor pegs will be.
- 10) Position the floor pegs carefully and secure them into position.

NOTE: It may be wise at this stage to double check that the holes and markings for fixing are correct. I assure that the stand will stand square and true to the wall and floor.



CAUTION: Attaching the floor pegs is a critical measure in ensuring the safe and proper installation of this product. This is a health and safety measure and must be carried out in order to maintain the structural integrity of the stand.

- 1d) Carefully lower the basin into location and check that the product sits level. Fine adjustments can be made by rotating the Adjuster Caps. Once you are fully happy with the fit of the basin on the stand run a bead of silicone along the entire base of the basin and ensure contact with the wall is made. At this stage please complete the necessary plumbing in of water and waste fittings.

Bathrooms

Battersea Washstand
BATWAS

Warehouse Description

Packaging

Net Weight: Kg

Gross Weight: Kg

No of boxes per product code: 1

Dimensions of outers: 970 x 620 x 350mm

How many inners per outer: 2

Dimensions of inner: 960 x 610 x 210 and 880 x 220 x 140

Agreed packaging standard: 5mm Double corrugated cardboard, white.

Label specification:

Label tbc

Fired Earth Code: BATWAS