

**Versailles Small Console**



**Product Code:**

VERSMLCONSOLE	Versailles Sml Console inc 2 Trad Legs (above left)
VERSMLCONSSLIM	Versailles Sml Console inc 2 Slim Legs
VERSMLCONSBKLEG	Versailles Sml Console inc Black Legs (above right)

**Features and Benefits**

- Manufactured entirely in Italy – using high quality raw materials
- Packed in dedicated Fired Earth packaging.
- Small Console is available in three options for legs:
  - Traditional Legs – white fireclay legs in a traditional contoured shape
  - Slim Legs – white fireclay legs in a minimal slimline shape
  - 5-piece gloss black lacquer wooden frame – 2 legs, LH panel, RH panel, front panel
- Fired Earth branded care & maintenance (low adhesive) label on every piece.
- Integral circular overflow in console is provided with a chrome shroud / cap.
- Two holes in rear for securing to the wall (fixings are not supplied)

**FAQ's**

- Q:** Are the items set up as Assembly codes?  
**A:** Yes – assembly codes for each leg option mean the console is automatically supplied with legs
- Q:** Do the items come as a 2 or 3 Tap Hole version?  
**A:** ONLY as 3 tap hole version, suitable for FE 3 hole basin mixers.
- Q:** Can legs be used with any other products?  
**A:** No only Versailles consoles
- Q:** What are the differences between the previous range La Rochelle & Versailles?  
**A:** Minor changes in sizes of the moulds.  
 Versailles has a flat surface whereas the La Rochelle had a raised rim.  
 Versailles has a circular overflow, which unlike the La Rochelle grille won't get blocked by clay.

**Product Information**

**Analysis code 1:** PBVE

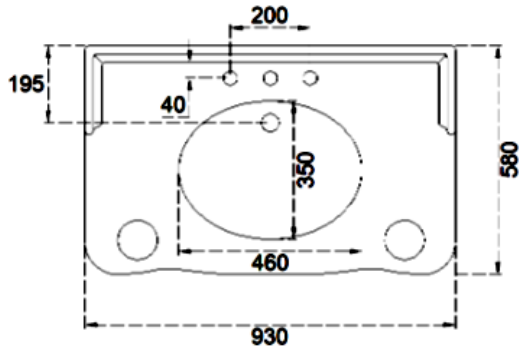
**Available from:** April 2015

**Ordering process:** Traditional legs stocked. Slim legs/Black frame to special order. See PU for lead time.

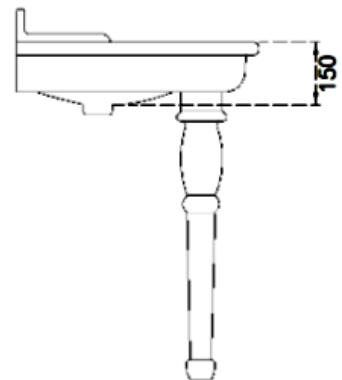
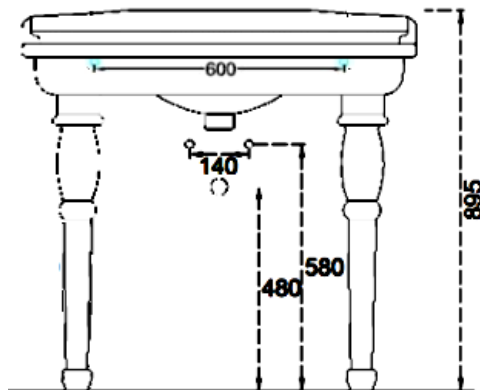
*The up to date version (controlled document) is on the Fired Earth intranet. Always check any printed version before use.*

Versailles Small Console

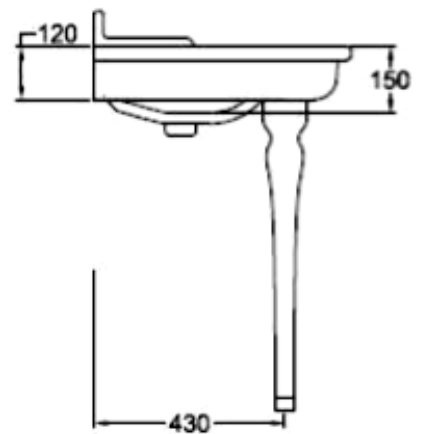
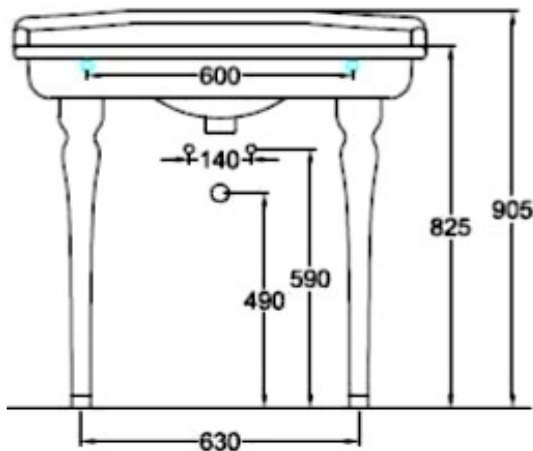
Dimensional Drawing



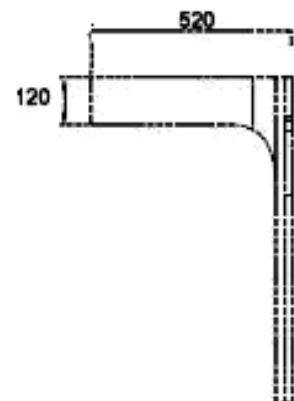
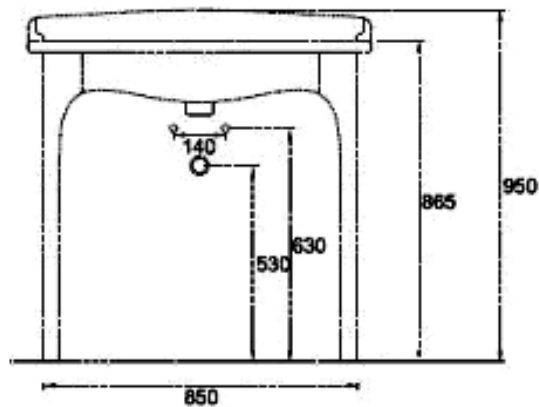
Traditional  
Legs



Slim Legs



Wooden  
Frame



The up to date version (controlled document) is on the Fired Earth intranet. Always check any printed version before use.

**Versailles Small Console**

**Pack Contents**



NB. The console is supplied as an assembly code of two items: the console top is supplied in one box and the legs/frame are supplied in a separate box. Assembly instructions are supplied in the box with the legs.

	<b>Description</b>	<b>Qty</b>
1	Small 3 taphole Console	1
2	Either:	
	1 pair of traditional white fireclay legs OR	1
	1 pair of slim white fireclay legs OR	1
	1 5-piece black gloss wooden frame	1

*The up to date version (controlled document) is on the Fired Earth intranet. Always check any printed version before use.*

**Versailles Small Console**

**Installation Instructions**

**General**

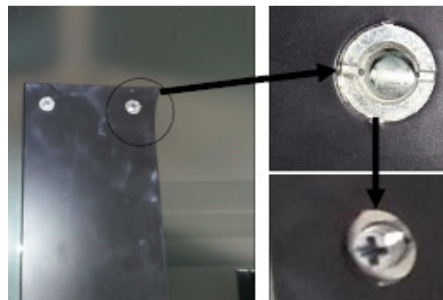
Installation should be carried out by a competent engineer. Please note due to the size & weight this is a 2 man job. Before installation, ensure product is fully checked. All Basins & Consoles have fixing holes at the rear of the item to facilitate easy installation (fixings not supplied). Product weights in kg's are on labels on product.

- Measure the overall height of the console and legs to the fixing points on the back of the console and drill the site wall accordingly.
- Apply male fixings to the wall (depending on site conditions-use anchor bolts or other suitable fixing-- always use a cushioning washer to each face of the pottery surfaces).
- If using the black leg frame, using the instructions below, assemble the frame.
- Simultaneously, offer the console to the wall fixings and insert legs into console sockets; apply a bead of silicone to cushion the pot to pot contact of the leg and console. NB. Slim legs fit quite loosely into the sockets and are secured using silicone where the surfaces meet.
- Secure fixings to wall.

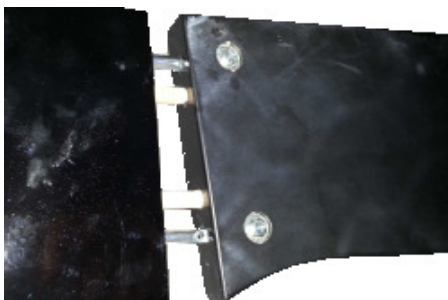
**Black Leg Frame Assembly**



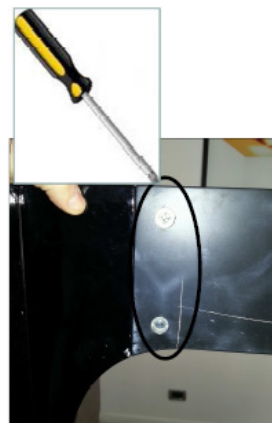
1. Apply the dowels and fixings to each leg.



2. Insert the cams into the front/side pieces ensuring they do not protrude from the frame. Loosely screw in the grub screws into the cams.



3. Couple the front/side pieces to the legs using the fixings.



4. Use a screwdriver to tighten the grub screws.

L-brackets are supplied to secure the frame to the wall.

*The up to date version (controlled document) is on the Fired Earth intranet. Always check any printed version before use.*

### Versailles Small Console

## Care & Maintenance

### General

- To maintain the pleasing appearance of your Versailles Bathroom product you must perform periodic and frequent cleaning.
- For best results clean using a mild soap, rinse thoroughly with warm water and blot dry with a clean, soft cloth.
- In the event of stubborn blemishes shown on the finish, we recommend using a detergent with a soft cloth, but we do not recommend it be used on an everyday basis.
- "Fired Earth Rubber (BATHRUBBER)", below, is designed to remove scuff marks, for example, thin grey scuff lines caused by wedding rings.
- Black frame should be cleaned with a soft, lint free cloth to avoid scratching and smearing.



*The up to date version (controlled document) is on the Fired Earth intranet. Always check any printed version before use.*

**Versailles Small Console**

**Warehouse Information**

Net Weight:					
Gross Weight:					
No of boxes per product code:	2 – Assembly of console and legs				
Dimensions of outers:	N/A				
How many inners per outer:	N/A				
Dimensions of inner:	N/A				
Agreed packaging standard:					
Label specification: (Inc FE code, weight and PO ref)	<table border="1" style="width: 100%; text-align: center;"> <tr> <td style="width: 50%; padding: 10px;"> <p><b>FIRED EARTH</b></p> <p><b>VERCONSM</b></p> </td> <td style="width: 50%; padding: 10px;"> <p><b>FIRED EARTH</b></p> <p><b>VERLEGS</b></p> </td> </tr> <tr> <td style="width: 50%; padding: 10px;"> <p><b>FIRED EARTH</b></p> <p><b>VERLEGSSLIM</b></p> </td> <td style="width: 50%; padding: 10px;"> <p><b>FIRED EARTH</b></p> <p><b>VERLEGSBLK</b></p> </td> </tr> </table>	<p><b>FIRED EARTH</b></p> <p><b>VERCONSM</b></p>	<p><b>FIRED EARTH</b></p> <p><b>VERLEGS</b></p>	<p><b>FIRED EARTH</b></p> <p><b>VERLEGSSLIM</b></p>	<p><b>FIRED EARTH</b></p> <p><b>VERLEGSBLK</b></p>
<p><b>FIRED EARTH</b></p> <p><b>VERCONSM</b></p>	<p><b>FIRED EARTH</b></p> <p><b>VERLEGS</b></p>				
<p><b>FIRED EARTH</b></p> <p><b>VERLEGSSLIM</b></p>	<p><b>FIRED EARTH</b></p> <p><b>VERLEGSBLK</b></p>				