

PRODUCT INFORMATION

FIRED EARTH

Bathrooms

Canterbury Baths



Canterbury Mini - 2 tap holes
White exterior
Shown with White Deco feet
1550L 800W 647H



Canterbury Regular - 2 tap holes
Metallic Exterior
Shown with cast iron B&C feet
1756L 800W 647H



Canterbury Slipper - 0 tap holes
White Exterior
Shown with chrome B&C feet
1540L 750W 565H – 760H

Product Codes

White Bath	Tap holes	Mini	Regular	Slipper
Cast Iron	0	CANTERMINI	CANTERBATH	CANSLIPPBATH
Ball & Claw feet	2	CANTERMINI2T	CANTERBATH2T	-
Antique Nickel	0	CANTERMINIAN	CANTERBATHAN	CANSLIPPBATHAN
Ball & Claw feet	2	CANTERMINIAN2T	CANTERBATHAN2T	-
Chrome	0	CANTERMINIC	CANTERBATHC	CANSLIPPBATHC
Ball & Claw feet	2	CANTERMINIC2T	CANTERBATHC2T	-
Old English	0	CANTERMINIOE	CANTERBATHOE	CANSLIPPBATHOE
Ball & Claw feet	2	CANTERMINIOE2T	CANTERBATHOE2T	-
White Resin	0	CANTERMINIW	CANTERBATHW	-
Deco Feet	2	CANTERMINIW2T	CANTERBATHW2T	-
Metallic Bath	Tap holes	Mini	Regular	Slipper
Cast Iron	0	CANTERMINIM	CANTERBATHM	CANTERSLIPM
Ball & Claw feet	2	CANTERMINIM2T	CANTERBATHM2T	-
White Resin	0	CANTERMINIMW	CANTERBATHMW	-
Deco Feet	2	CANTERMINIMW2T	CANTERBATHMW2T	-

Feet Options

				
Raw Cast Iron	Chrome	Antique Nickel	Old English	White Deco

Product Information

Analysis code 1: BACR

Available from: November 2014

Ordering process: Selected items stocked. Please see PU for lead times on special order items.

The up to date version (controlled document) is on the Fired Earth intranet. Always check any printed version before use.

Canterbury Baths

Features and Benefits

- Manufactured entirely in the UK.
- Hand polished finish.
- Manufactured from Correro, a composite comprising volcanic and organic materials and resin. The colour is throughout the bath material and absorbs the ambient temperature of the room so it is warm to the touch and you can enjoy a longer than normal bathing experience.
 - Hard wearing, luxurious and practical, Correro is hygienic with wonderful thermal properties.
 - Most everyday marks or scratches can be repaired to restore the bath to its original smooth, hygienic solid surface integrity.
 - Manufactured in one solid casting under vacuum for a stronger material.
- Available with white interior and exterior, or white interior and a metallic exterior surface.
 - White exterior can be painted to complement your colour scheme.
 - Metallic exterior offers all the thermal and light weight properties of a Correro bath with all the elegance and luxury of a metal bath. The process is unique to this manufacturer and is created using fine metal filings mixed with resins. The metallic finish is applied to the bath at the time of casting using a trademarked process and is therefore a robust, permanent surface. The metal melts to the bath becoming one solid piece. Some colour variation is to be expected.
- All 3 bath shapes can be fitted with Ball & Claw feet in a choice of finishes: Cast Iron, Antique Nickel, Chrome and Old English. Mini and Regular baths can be fitted with white resin Deco feet.

FAQ's

- Q: How thick is the wall of the bath?
A: 20mm thick.
- Q: How are the feet attached to the base of the bath and are they adjustable?
A: The feet are bolted to the base of the bath. Full instructions are supplied with the bath. The feet have an adjustable base to accommodate slight variation in the floor level.
- Q: What is the normal water capacity and weight of the bath?
A: See table below. It is unusual to completely fill a bath with water, please bear in mind that a person getting into a bath will displace approximately one litre of water for each kg they weigh.

	Mini	Regular	Slipper
Weight of bath	55Kg	60Kg	70Kg
Water capacity (to overflow)	159Ltrs	255Ltrs	168Ltrs
Weight of full bath	214Kg	315Kg	238Kg

- Q: What paint should be used to paint the exterior of a white bath or the cast iron or resin feet?
A: We recommend Fired Earth eggshell paint. Full instructions are detailed further on in this document.

Complementary Products

Description	Product Code
Fired Earth Deck Mounted Taps/Mixers	Various
Bath Shrouds for baths with 2TH	BSHROUD
Standpipes for baths with 0TH	Various
Exposed Bath Waste with Plug & Chain	EXPWASTECP2
Exposed Bath Waste with Clicker Plug	CLIEXPBATHWASCP

The up to date version (controlled document) is on the Fired Earth intranet. Always check any printed version before use.

PRODUCT INFORMATION

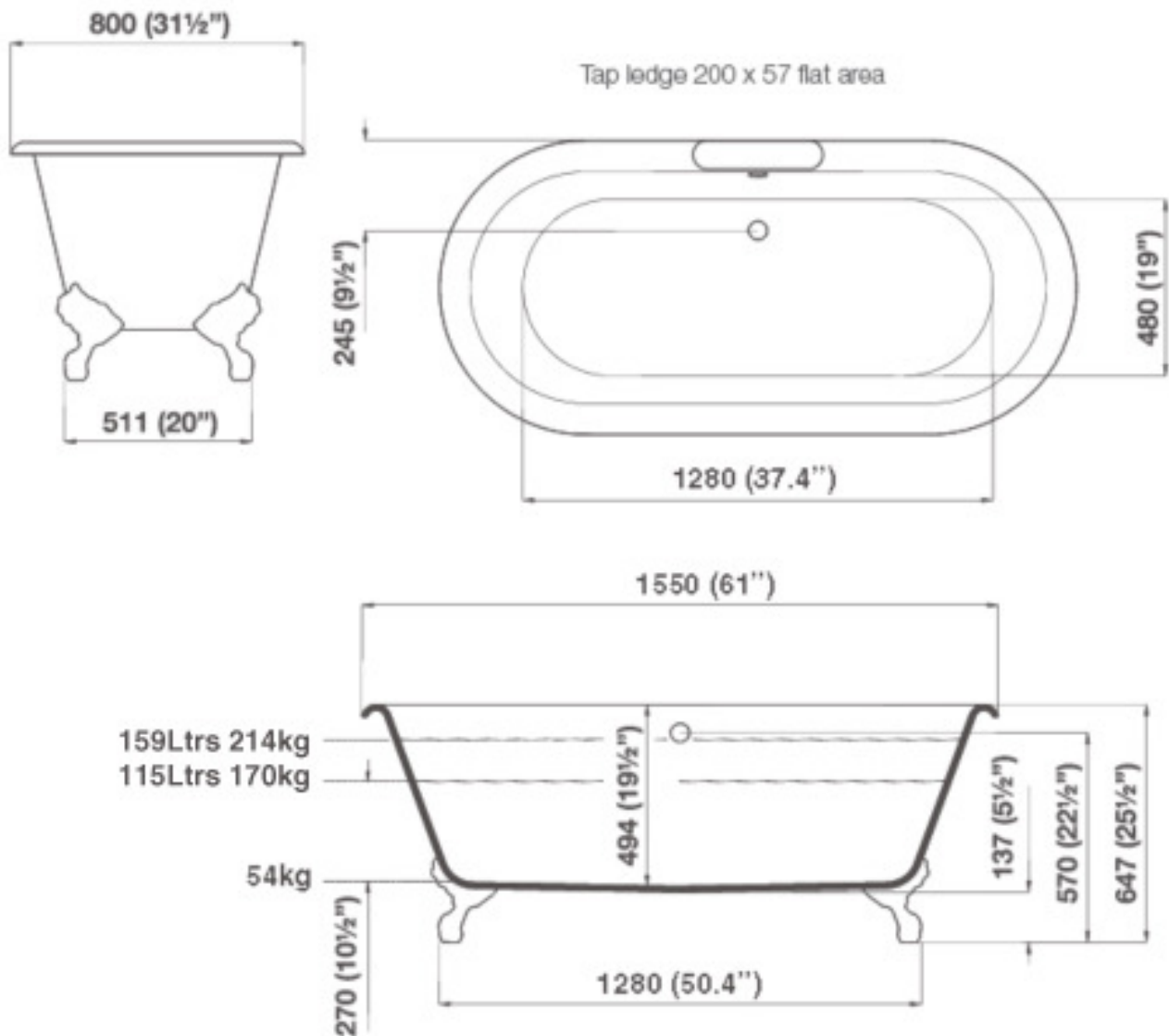
FIRED EARTH

Bathrooms

Canterbury Baths

Dimensional Drawing – Mini

Mini bath features a tap ledge which may be ordered with 0 or 2 tapholes predrilled. Tap holes are drilled to 30mm diameter and 180mm centres.



The up to date version (controlled document) is on the Fired Earth intranet. Always check any printed version before use.

PRODUCT INFORMATION

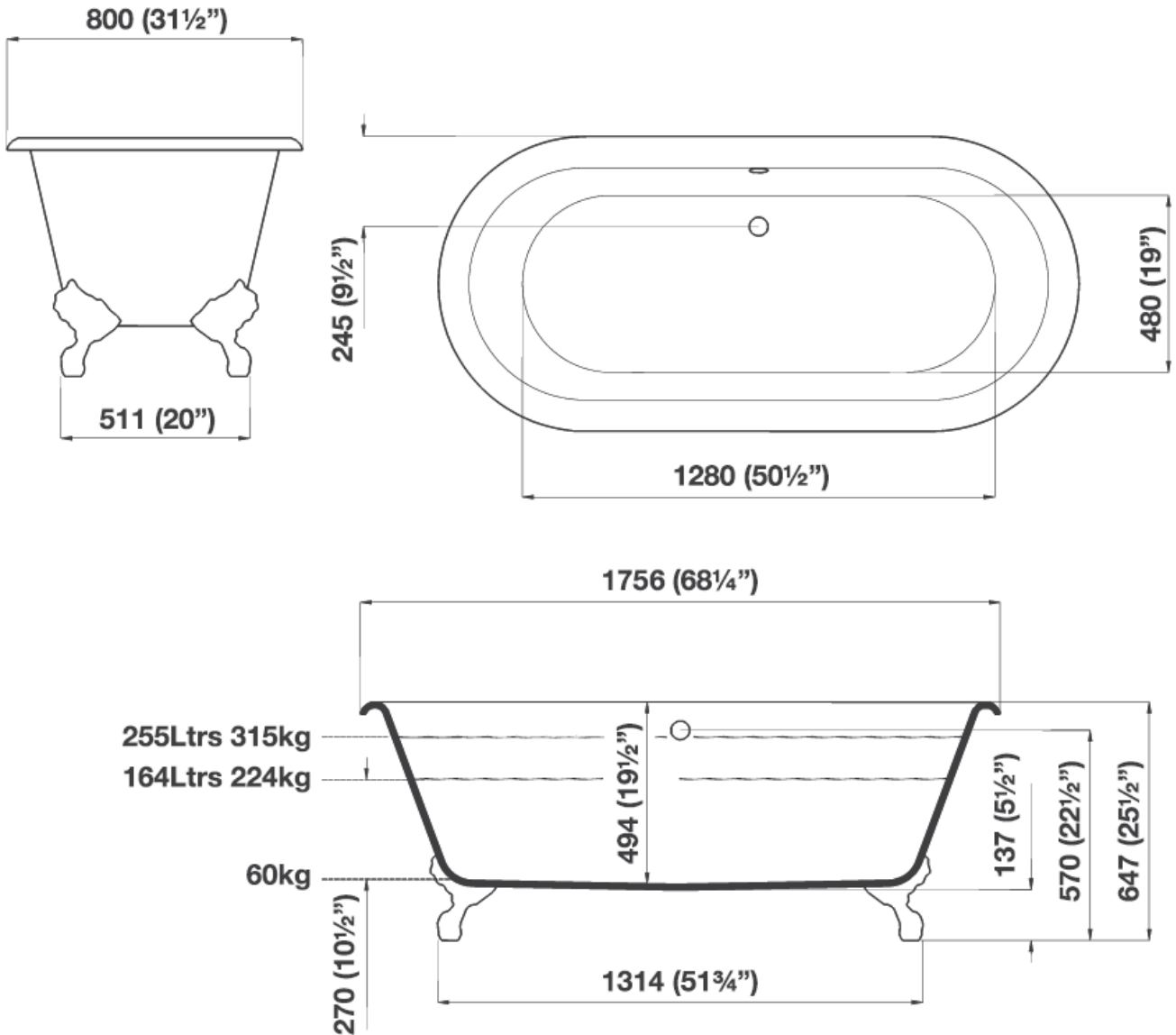
FIRED EARTH

Bathrooms

Canterbury Baths

Dimensional Drawing – Regular

Regular bath may be ordered with or without tap ledge. Tap ledge measures 200mm x 60mm and features 2 holes drilled to 30mm diameter and 180mm centres.



The up to date version (controlled document) is on the Fired Earth intranet. Always check any printed version before use.

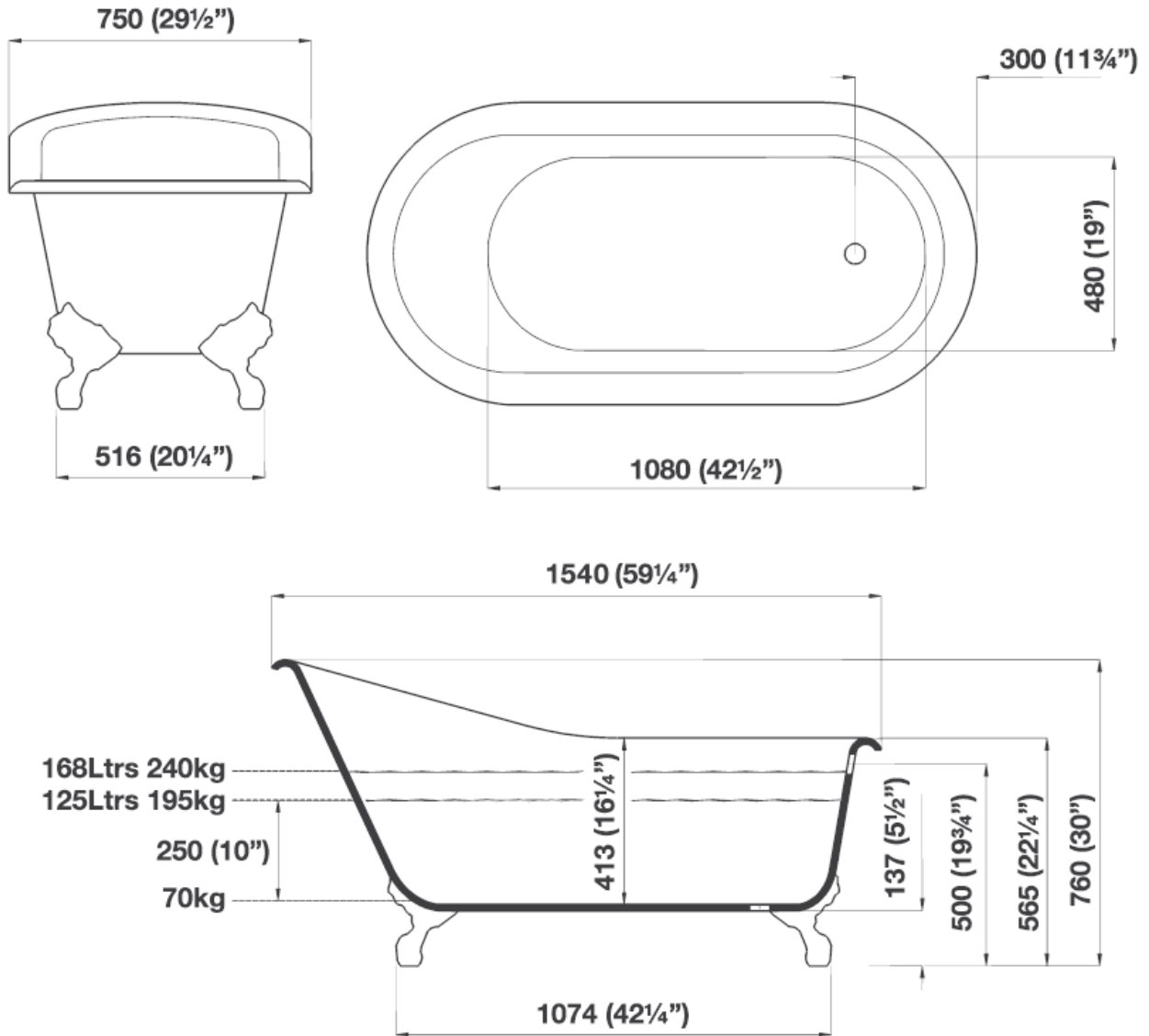
PRODUCT INFORMATION

FIRED EARTH

Bathrooms

Canterbury Baths

Dimensional Drawing – Slipper



The up to date version (controlled document) is on the Fired Earth intranet. Always check any printed version before use.

Canterbury Baths

Installation Guidelines

Fitting Feet

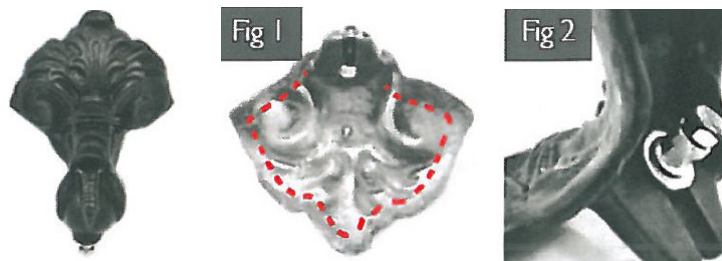
The fitting of the bath feet and the installation of the bath will be seen as an acceptance of quality.

We strongly recommend that you use a suitable qualified installer. Instructions must be fully adhered to. We cannot accept responsibility for incorrect installation. Our representatives are not qualified to give advice on DIY installations.

We strongly recommend the use of silicon for extra adhesion. If the bath has been painted ensure the contact area on the bath where the feet will fit has not been painted over as this could result in poor adhesion and possible failure. Please note: Silicone is not included. Be careful not to over apply. Supplies of general purpose clear medium/high modulus silicon are available from all good DIY stores. Do not use adhesives.

Attaching the Feet to the Bath

1. With the bath upside down, apply small beads to the contact area of the foot. (Fig1)
2. Align the foot and press firmly into position, forcing it to bed down.
3. Thread the washer onto the bolt and hand tighten. Use a spanner for the final 1/4 turn, but no more. Be careful not to over tighten the bolt and strip the thread. Secure by locking the two bolts together. (Fig 2)
4. Turn the bath onto its feet. Leave any excess silicone and trim when dry. Repeat process on all four feet.



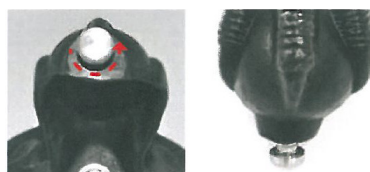
Fixing Kit

We have included a fixing kit to secure the feet to the bath. The kit consists of four metal bolts, eight nuts and four washers.



Adjustable Feet

1. Screw the metal adjustable floor bolts on the base of the foot until just proud of its bottom.
2. Put the bath into position. Adjust bolts to ensure bath is level and to guarantee the water runs away.



The up to date version (controlled document) is on the Fired Earth intranet. Always check any printed version before use.

Canterbury Baths**Installation Guidelines**

- The installation of the bath will be seen as an acceptance of quality.
- Please ensure you thoroughly inspect the bath inside and outside upon delivery.
- It is recommended that a qualified plumber be used to install the bath.
- We will not take any responsibility for incorrect installations.
- We do not give any advice on DIY installations.
- We strongly recommend that all protective packaging remains on the bath until all refurbishments are complete.
- We recommend using an exposed 1½" bath waste with an exposed trap as in certain circumstances the pipework may be seen.

- All waste and pipework needs to be in place prior to installation of the bath.
- Position the bath in the desired location and mark the centre of the waste outlet on the floor.
- Remove the bath; prepare suitable waste pipework beneath or above floor level to accommodate the waste pipework.
- Install the waste kit to the bath and then connect the p-trap.
- Run the taps and check for leaks.



Canterbury Baths

Painting, Care and Cleaning Instructions

Painting the bath:

1. Metallic baths may not be painted. The exterior only of a white bath may be painted.
2. Sand bath area to be painted with 320 grit sand paper.
3. **Ensure** all of the gloss finish is converted/sanded to a flat matt finish to ensure paint keys to bath. If it isn't properly keyed, the paint will not adhere.
4. Bring bath and paint up to room temperature.
5. Applying paint with a roller, apply a first light coat and allow to dry before going on with a second (and third) coat to achieve full and even coverage.
6. A layer of clear lacquer can be applied after painting to provide a durable, washable finish.

Painting the feet of your bath:

1. Cast iron and white resin feet may be painted.
2. Ensure feet are clean and dry.
3. Use a metal primer before painting cast iron feet.
4. Stir paint thoroughly before use.
5. Apply two coats of paint by brush.
6. For a perfect finish, lightly sand between dry coats.
7. For lighter colours you may require three or more coats of paint.

Care

Fine scratches can be removed with a damp cloth and a mild cleaner such as Cif active cream.

Limescale can be removed with vinegar. Rinse several times with warm water and dry with a soft cloth.

For everyday cleaning just use a mild cream cleaner such as Cif. Do not use abrasive cleaners as they will remove the gloss finish. Should you need to restore the gloss use the automotive Q3, polishing in circular motions.

Deeper scratches may require a more abrasive paper to be used initially. If this is the case work your way up to 1500 grit gradually and re-polish. For best results limit sanding to the smallest possible area around the scratch. It may be possible to polish very fine scratches away without using abrasive papers: scrubbing gently with a soft brush or plastic pad (not metal scouring pad) and a mild cream cleaner. Afterwards scrub the whole area with plenty of clean water and re-polish as before.

Cleaning Your Bath

We recommend a non-abrasive bathroom or kitchen household cleaner. Abrasives will cause the disappearance of the glossy look over a long period. Should you need to clean the bath with an abrasive cleaner, as may be required from time to time, polishing with a car polish or household metal polish will restore the baths' lustre.

PRODUCT INFORMATION

FIRED EARTH

Bathrooms

Canterbury Baths

Warehousing Specification

Packaging: Crated
No. boxes per product code: 1 for feet, 1 for bath

	Mini	Regular	Slipper
Weight (Kg):	60	60	70
Dimensions of outers (mm):	1756x800x647	1756x800x647	1540x750x760

The up to date version (controlled document) is on the Fired Earth intranet. Always check any printed version before use.