

PRODUCT INFORMATION

FIRED EARTH

Bathrooms

Versailles Single-ended Bath



Shown in 'Zephyr' hand-painted special finish

	Primed Cast Iron Feet	Chrome Plated Feet	Polished Nickel Feet
1700 0 Tap Holes	VERS170SE2TH	VERS170SE2THC	VERS170SE2THPN
1700 2 Tap Holes	VERS170SE2TH	VERS170SE2THC	VERS170SE2THPN

Features and Benefits

- Traditional roll top design – Cast iron and enamel interior
- Single ended version works well in the corner of a room where a double ended may not fit so well
- White ripple enamel interior, ready to paint exterior
- Class AAA Enamel used on interior for extreme durability and stain resistance
- Choice of 2 or no tap holes
- Choice of three finishes of feet: primed cast iron, chrome plated or polished nickel plated.

FAQ's

- (Q) Is it simple to install?
(A) Yes, but we recommend a professional installer is employed.
- (Q) Can I paint the Versailles bath?
(A) Yes, the exterior can be painted, as can primed feet. Refer to the section at the end of this document.
- (Q) How accurate are the manufacturing tolerances?
(A) Being a cast iron product, measurements can vary by up to 10mm.
- (Q) What taps should I use?
(A) Most of our bath mounted taps or bath/shower mixers will fit please consult our Bathroom Technical Guide for compatibility charts.
- (Q) How do I clean and maintain the product?

Product Information

Analysis code 1: BAVE **Available from:** October 2014
Order process: Special order. Check PU for current lead times.

The up to date version (controlled document) is on the Fired Earth intranet. Always check any printed version before use.

Product Manual: Versailles Single Ended Bath

PRODUCT INFORMATION

FIRED EARTH

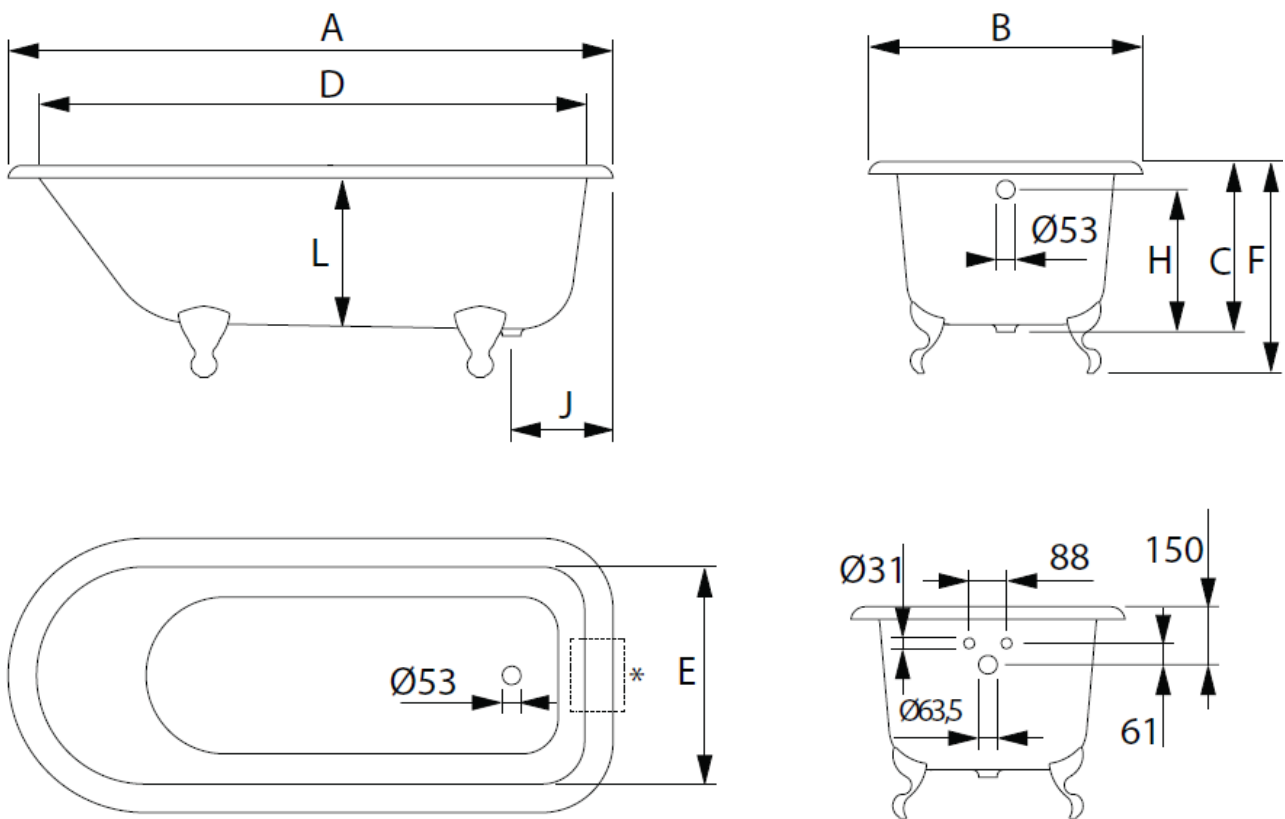
Bathrooms

Versailles Single-ended Bath

Complementary Items

Description	Product Code
Deck Mounted Taps/Mixers	VARIOUS
Exposed Bath Waste	EXPWASTECP2
Exposed Bath Waste with Clicker Plug	CLIEXPBATHWASCP

Dimensional Drawing



A	B	C	D	E	F	G	H	I	J	K	L
1700	775	473	1580	615	610	-	390	-	290	-	440

	Weight (kg)	Vol (lt)	Full Weight (kg)
1700	132	225	357

The up to date version (controlled document) is on the Fired Earth intranet. Always check any printed version before use.

Versailles Single-ended Bath**Maintenance/Care Instructions**

To care for your Fired Earth Versailles bath we recommend that you clean it regularly using a mild non-abrasive, non-acidic detergent applied with a soft cloth and plenty of water to wash away gritty deposits. Do not allow cleaners to sit or soak on the surface and avoid dripping taps. Failure to do so may result in small brown particles building on the enamel surface of the tub. The appearance of these particles may appear to be rust spots but due to the manufacturing process, rust spots cannot appear within the enamel surface. These spots will actually be a build-up of limescale and ferrous residues.

Installation Instructions

Please inspect this product immediately on delivery to ensure it is the product that you ordered and will fit into your installation. Please ensure that all expected parts are included and that there has been no damage in transit. Any claim for damage will not be entertained unless received within 10 working days.

We recommend that this product is installed by a qualified professional contractor and conforms to local regulations.

Take all necessary precautions to ensure that all parts are properly protected during installation. Dirty and incorrect tools can damage polished and plated surfaces and we recommend spanners are suitably lined so as not to damage plated or polished nuts.

When drilling holes in walls and floors be aware of any existing pipes or cables.

Due to access restrictions an access panel may help with the installation of the bath waste.

1. Turn the bath upside down taking care not to damage the enamelled surface.
2. To attach the feet, slot the angled bolts provided, into the lugs on the bath.
3. Gently place the feet through the bolts until they contact the bath.
4. With one hand holding the feet in position insert the washer and the locknut through the fastening bolt, hand tighten initially and then fully tighten using a wrench.
NB: a slight bending of the angled bolt is perfectly natural as the bolt adjusts to the slope of the bath feet.
5. Carefully turn the bath upright to its normal position.
6. Place a level on top of the bath rim - if required the feet can be adjusted using the levelling bolts.

Versailles Single-ended Bath**Cast Iron Bath - Home Owner' s Guide****IMPORTANT**

Installer: please use (do not dispose of) and give to home owner.

Home owner: please keep this information to care for your bath over the years.

Thank you for purchasing your Fired Earth cast iron bath. We have many years of experience with these cast iron baths and they will give years of pleasurable service if a few simple measures are taken to install and look after them.

IMPORTANT CUSTOMER & INSTALLER INFORMATION – PLEASE READ CAREFULLY

The process used to apply enamel to the surface of your cast iron bath involves manually applying the enamel in powder form whilst the cast bath is red hot. This method produces unique inherent features such as subtle ripples in the bath surface, small dimples and miniscule black specks. The Enamel surface covers the whole of the inside of the bath tub, finishing on the lower edge of the Roll Top rim. The external surface is then finished with a Primed surface. Between the two surfaces (Enamel & Primer) there will be a gap of Cast Iron of approximately 5 mm which is not visible as it is under the rim. The 2 surfaces are joined together by hand during the manufacturing process using a hard gloss filler type material which is brushed under the rim. This small invisible surface will not be finished to a high standard as the aim is purely to protect the uncovered Cast Iron surface. Due to the way the bath is made, the long side of the bath may rise in the middle by up to approx. 6-8mm. The gap between the bath rim and panel should be filled on site with silicone. These are quite normal features and will not affect the performance of your bath throughout its lifetime.

To maintain the condition of your Fired Earth bath, regularly clean the inside surfaces with a non-abrasive, non acidic or alkaline cleaning agent. To prevent any lime scale build – up, rinse thoroughly with water and wipe the surface dry after each use. Further cleaning and maintenance information is at the end of this document.

Versailles Single-ended Bath

External Surface of the Bath

The external surface of our bath is coated with a smooth adhesion Primer which promotes the correct adherence of your paint to the cast iron surface of the bath. **This primer is not intended to be the finished surface and should be painted the colour of your choosing using the procedure detailed below.**

The primed surface may suffer some minor damage during transportation, which can be easily rectified when you apply the final paint coating. As a universal primer is used any kind of paint can be applied but we would recommend using Fired Earth Acrylic Eggshell.

Painting Procedure

Tools and Materials

- Masking Tape
- Fine Sandpaper (320 grain)
- Paint
- Spray gun or Paint brushes according to the desired result
- Protection Material (Respiratory mask and gloves)
- Smooth Cloth

Instructions

1. The complete rim of the bathtub must be protected with masking tape; otherwise some serious over-spraying may occur in the enameled surface, which will lead to plenty of hard work in its removal. Turn the bath upside-down, making sure that the bath is safely at rest in a rightly protected surface (cardboard, foam, etc.).

2. Care must be taken to ensure that the primed surface is free from impurities such as dirt, grime, dust, oil, grease (grease can arise even from the hand contact with the fingers), etc. To make sure of it, the surface should be sanded; this task can be performed manually, or with a sanding machine. Be certain that a fine sand paper is employed, 320 grain or higher, otherwise some noticeable scratches may appear.

3. Ensure that the entire exterior surface is sanded (with the exception of the bathtub rim where the enameled interior meets the painted surface). DO NOT rub the underside of the rim of the tub too hard with sandpaper or similar, as this will remove the protective coating that is applied within the factory which is meant to bond the surface between the Interior Enamel & the Exterior Primer surface.

This is a very important step; if the procedure is not correctly followed it may cause paint adhesion problems later in the life of the product.

4. This operation will create some dust which must be thoroughly removed before continuing.

5. When the bath is ready you can use any kind of paint as the primer used is universal.

When applying the external paint, please refer to the specific application instructions of the product being applied.

The up to date version (controlled document) is on the Fired Earth intranet. Always check any printed version before use.

PRODUCT INFORMATION

Bathrooms

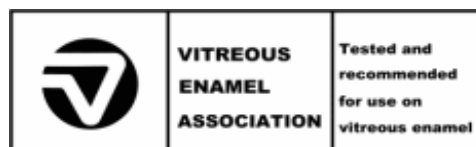
FIRED EARTH

Versailles Single-ended Bath

Ongoing Cleaning & Care Instructions

We strongly recommend that the tub is cleaned after every use with an acid free cleaner and wiped dry with a soft cloth. We recommend the utilization of VEA (Vitreous Enamel Association) approved cleaners. You can find these cleaners on website: <http://www.ive.org.uk/enamelcare/enamel-care-list.html>

These approved cleaners will have the following logo in their label:



Aga Enamel Cleaner

You can order this from Aga stores or by calling 0845 345 2823.



Fired Earth Bath Rubber

You can purchase Fired Earth's Bath Rubbers from all Fired Earth stores.



Use a soft cloth or sponge for brushing effect. Don't use wire brushes, steel wool or abrasive sponge pads. Rinse thoroughly with water immediately after the application of cleaners and wipe the surface leaving it completely dry after utilization. Do not allow cleaners to sit or soak on the surface and avoid dripping taps. Failure to do so may result in small brown particles building on the enamel surface of the tub. The appearance of these particles may appear to be rust spots but due to the manufacturing process which we employ, rust spots cannot appear within the enamel surface. These spots will actually be a buildup of limestone and ferrous residues.

Dark grey marks are usually caused by contact with metal, for example, the chain of the plug swinging in contact with the bath enamel or jewellery. These may be stubborn and may be removed using a Fired Earth Bath Rubber. Follow the instructions on the Rubber's cardboard sleeve.

The up to date version (controlled document) is on the Fired Earth intranet. Always check any printed version before use.

Versailles Single-Ended Bath

Warehouse Description

Net Weight: 132Kg

Gross Weight: kg

No. of boxes per product code: 2

Dimensions of outers: mm

Dimensions of inner: N/a

Agreed packaging standard:

