

### Atlantic Pedestal (for Atlantic Basin)



#### **Product Code**

ATLPED

#### **Features and Benefits**

- Elegant Art Deco styling
- Manufactured in the UK
- Fired Earth branded
- Only the highest quality clay and glazes used
- Hand finished
- Every piece rigorously inspected at every stage of the manufacturing process
- Stocked product so always readily available

#### **FAQ's**

- (Q) Is it simple to install?  
(A) Yes but we always suggest that a professional installer is used.
- (Q) How do I clean and maintain the product?  
(A) Refer to maintenance section.

#### **Product Information**

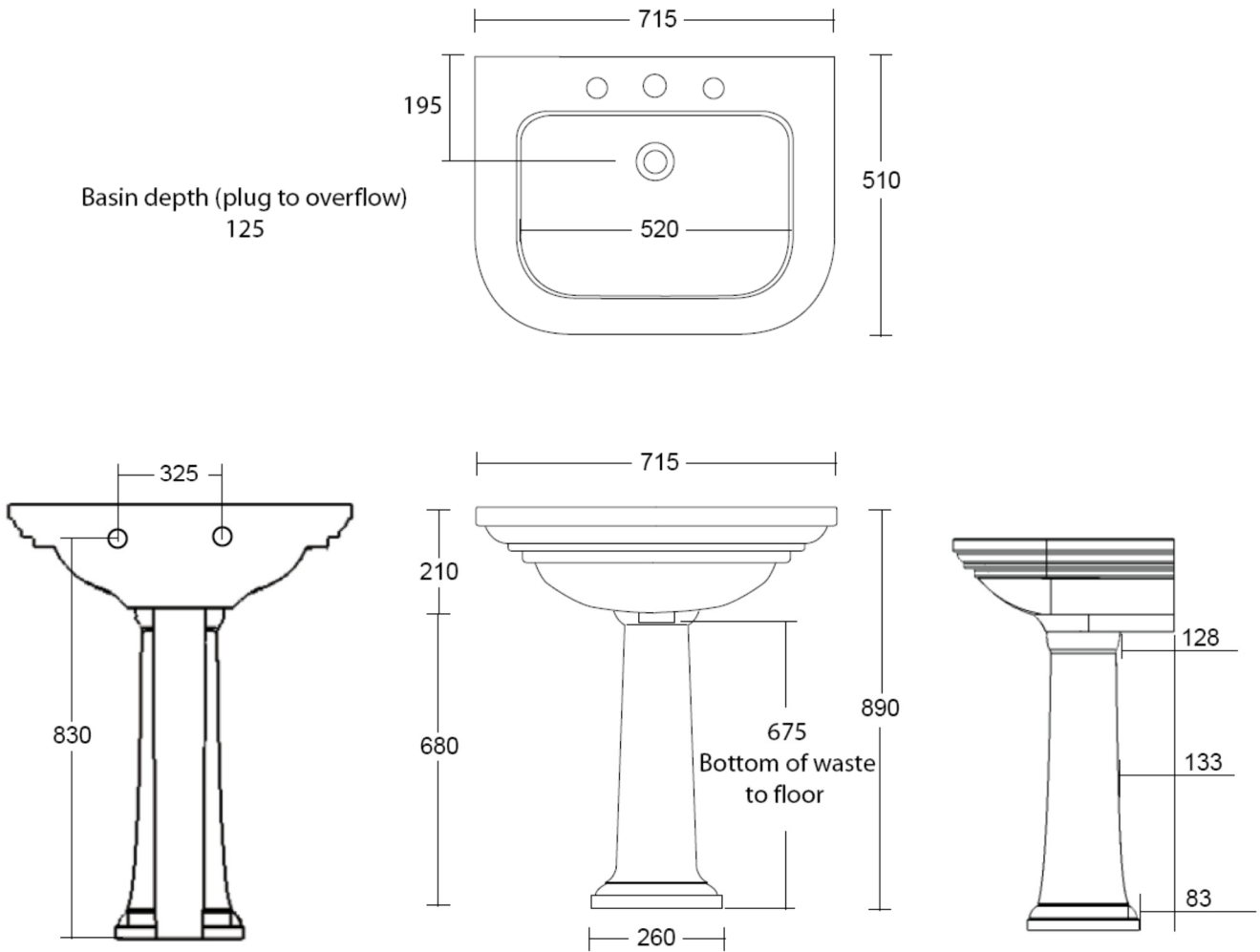
**Analysis code 1:** PBAT

**Available from:** August 2014

**Ordering process:** Normally in stock at HO.

**Atlantic Pedestal (for Atlantic Basin)**

**Dimensional Drawing**



*The up to date version (controlled document) is on the Fired Earth intranet. Always check any printed version before use.*

## PRODUCT INFORMATION

Bathrooms Leila Roberts

# FIRED EARTH

Atlantic Pedestal (for Atlantic Basin)

## Pack Contents

NO FIXING PACK REQUIRED

Atlantic Pedestal (for Atlantic Basin)

**Maintenance/Care Instructions**

The glazed finish of your sanitaryware should be cleaned after use by applying a little cream type cleaner. Apply using a sponge or damp cloth and rinse thoroughly with clean water. Cleaners containing abrasive materials should be avoided.

## PRODUCT INFORMATION

Bathrooms Leila Roberts

# FIRED EARTH

Atlantic Pedestal (for Atlantic Basin)

## Installation Instructions

NO INSTRUCTION SUPPLIED  
WITH PEDESTAL

## PRODUCT INFORMATION

Bathrooms Leila Roberts

# FIRED EARTH

Atlantic Pedestal (for Atlantic Basin)

### Warehouse Description

#### Packaging

Net Weight: 10.96Kg

Gross Weight: 11.96Kg

No. of boxes per product code: 1

Dimensions of outers: 265x265x710mm

How many inners per outer: 0

Dimensions of inner: N/a

Agreed packaging standard: 5mm Double corrugated cardboard, brown with Fired Earth printing

Label specification:



Fired Earth Code: ATLPED

*The up to date version (controlled document) is on the Fired Earth intranet. Always check any printed version before use.*

Product Manual: Atlantic Pedestal