

PRODUCT INFORMATION

FIRED EARTH

Bathrooms

VERSAILLES HIGH LEVEL VERHLTOIL



Description	Fired Earth Product Code
Versailles High Level Toilet	VERHLTOIL

COMPLEMENTARY PRODUCTS

Description	Fired Earth Product Code
Versailles White Toilet Seat	VERTSWHT
Versailles White Toilet Seat Soft Close	VERTSWHTSOFT
Versailles Walnut Toilet Seat	VERTSWALC
Versailles Walnut Toilet Seat Soft Close	VERTSWALCSOFT

VERSAILLES HIGH LEVEL
VERHLTOIL

FEATURES AND BENEFITS

- An iconic Fired Earth product and one of our top sellers over the years
- Manufactured entirely in Italy – Using high quality raw materials
- Dedicated toilet seats – These seats are specific to this range and cannot be used in conjunction with any other WC pans
- Packed in dedicated Fired Earth branded packaging
- Flushing mechanism, inlet valve, pull chain with bracket & ceramic handle included
- Additional wall brackets are also supplied

FAQ's

- **Is the Versailles high level toilet easy to install?**

Yes, however we would recommend that a qualified installer is used

- **What are the dimensional tolerances?**

+/- 2% industry wide standard

- **On which side can the supply inlet be positioned?**

The supply inlet can be positioned on either the left or right of the cistern

- **Does the Versailles high level toilet come with a seat?**

No, please order your dedicated seat from the Versailles range

- **How do I clean this product?**

Please refer to the cleaning and care instructions

- **Can the height of the cistern be adjusted?**

Yes, the height of the cistern can be adjusted simply by cutting the L shaped flush pipe

Before installation, ensure product is fully checked and supply pipes are flushed clean. Any debris or loose particles could affect the efficiency of the inlet valve and cause potential damage.

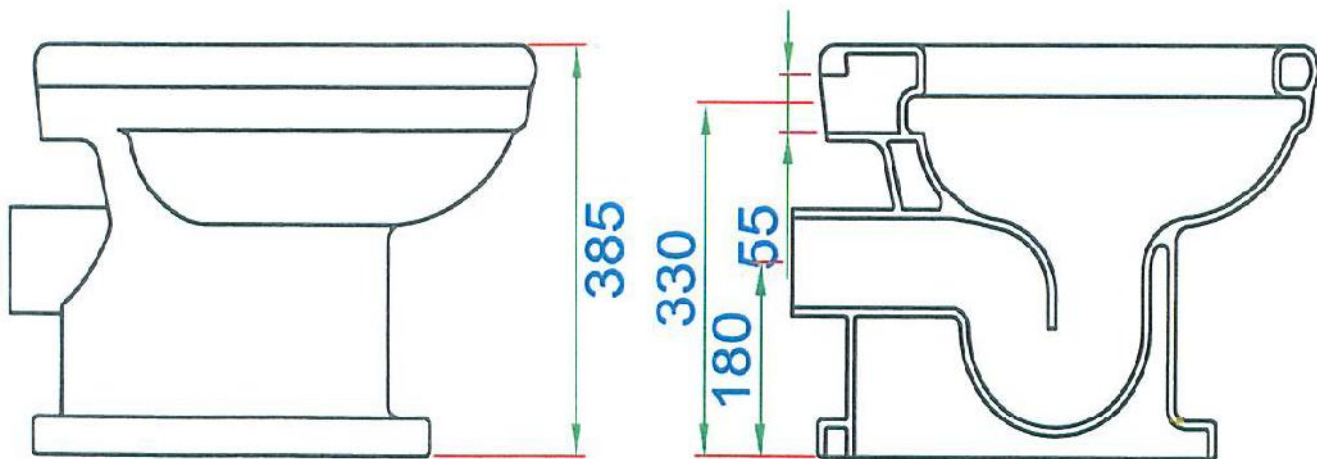
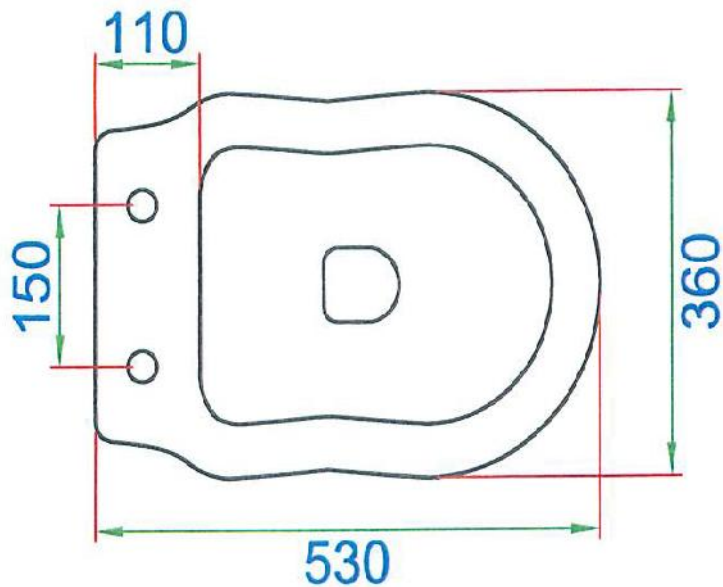
PRODUCT INFORMATION

Bathrooms

FIRED EARTH

VERSAILLES HIGH LEVEL
VERHLTOIL

DIMENSIONAL DRAWINGS

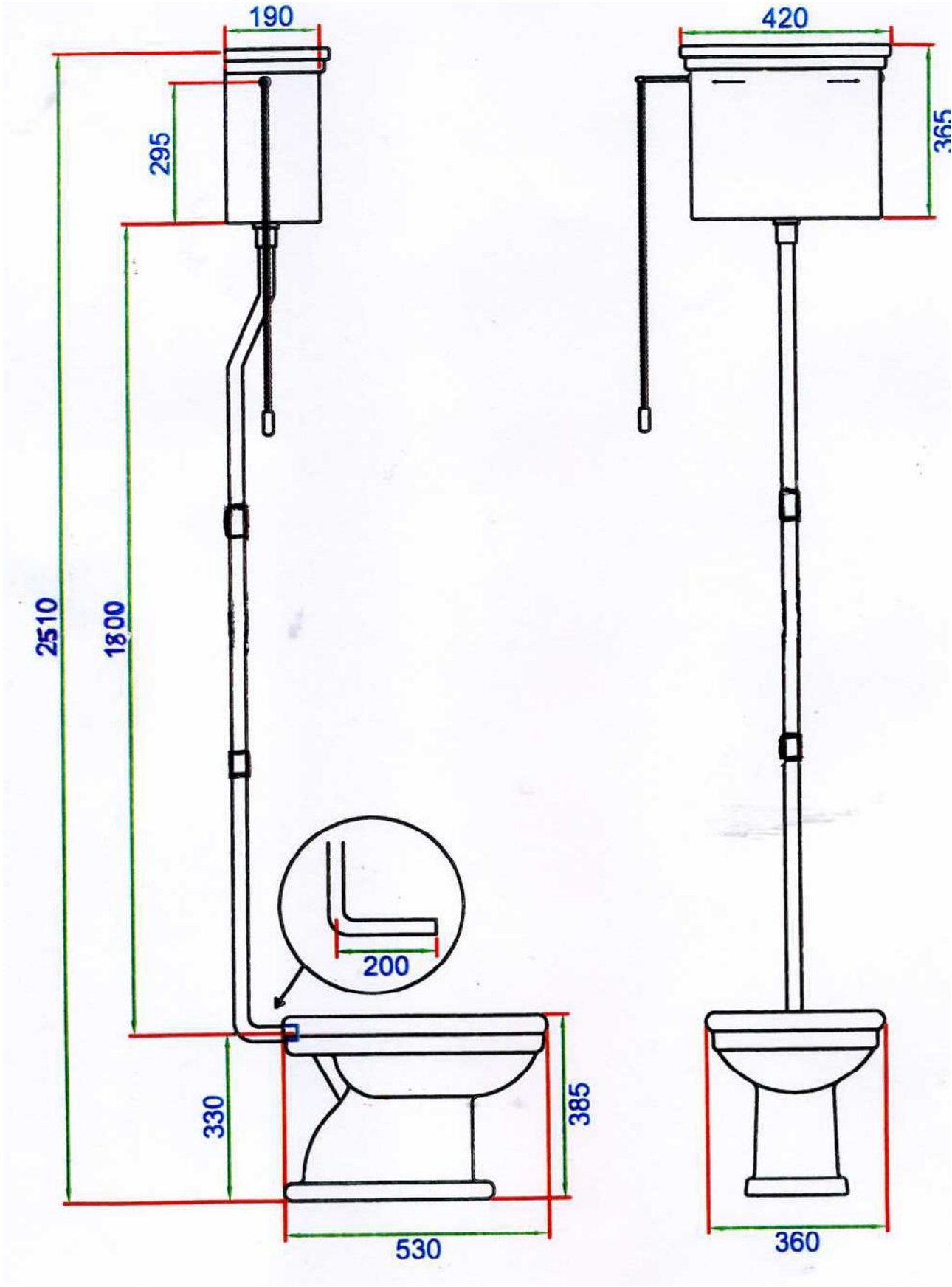


PRODUCT INFORMATION

Bathrooms

FIRED EARTH

VERSAILLES HIGH LEVEL
VERHLTOIL



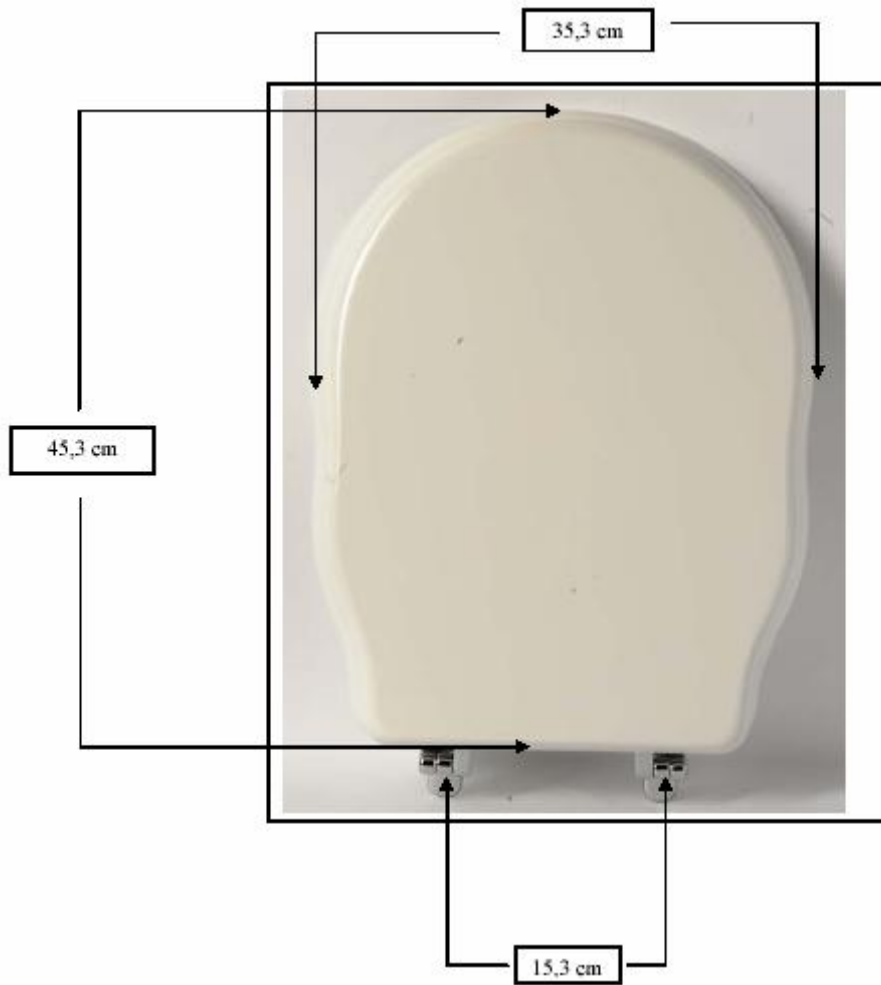
PRODUCT INFORMATION

FIRED EARTH

Bathrooms

VERSAILLES HIGH LEVEL
VERHLTOIL

VERSAILLES TOILET SEAT DIMENSIONS (not provided)



Material: Polyester and wood

Hinges: Chrome

Soft closing system optional

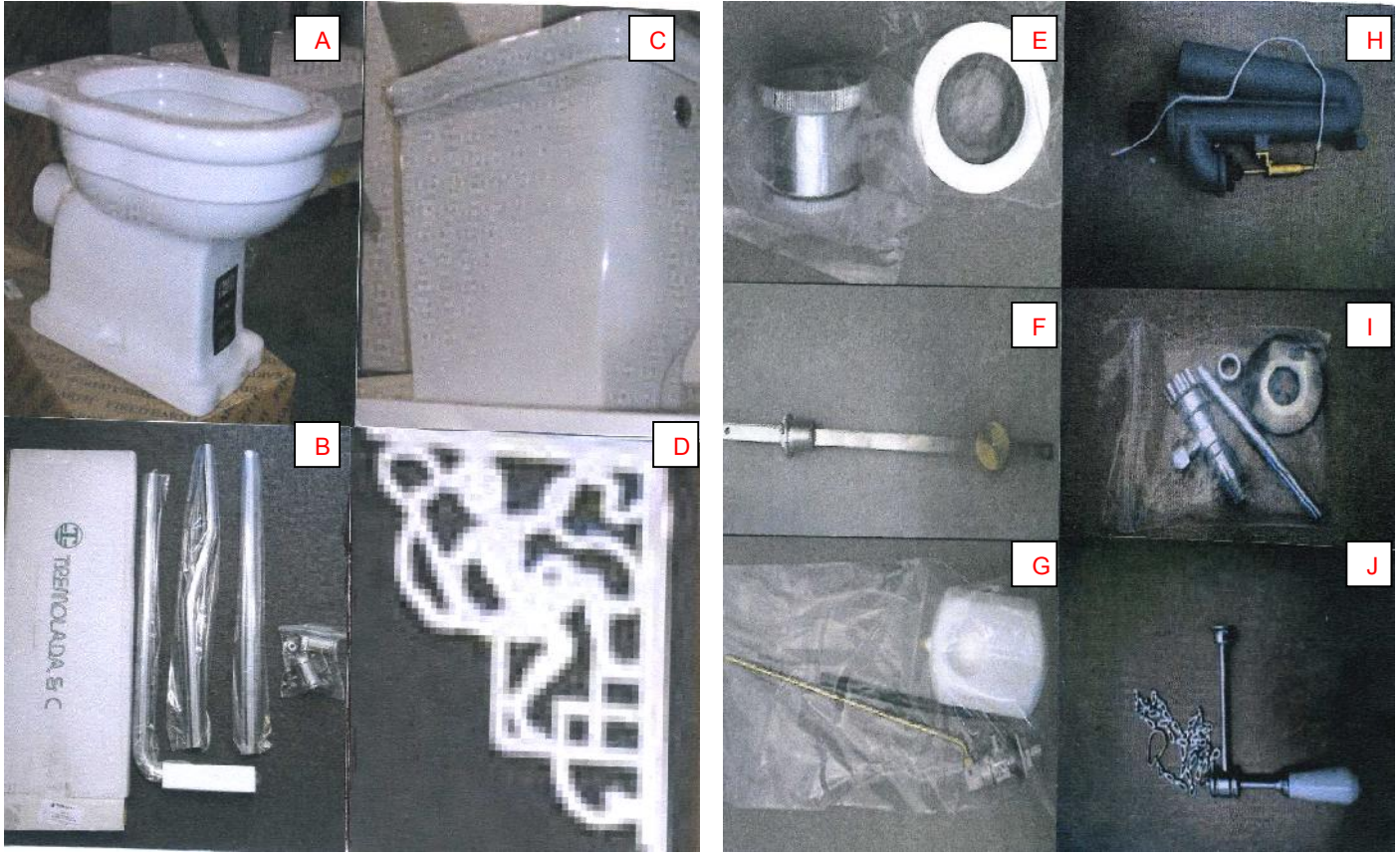
PRODUCT INFORMATION

FIRED EARTH

Bathrooms

VERSAILLES HIGH LEVEL VERHLTOIL

PACK CONTENTS

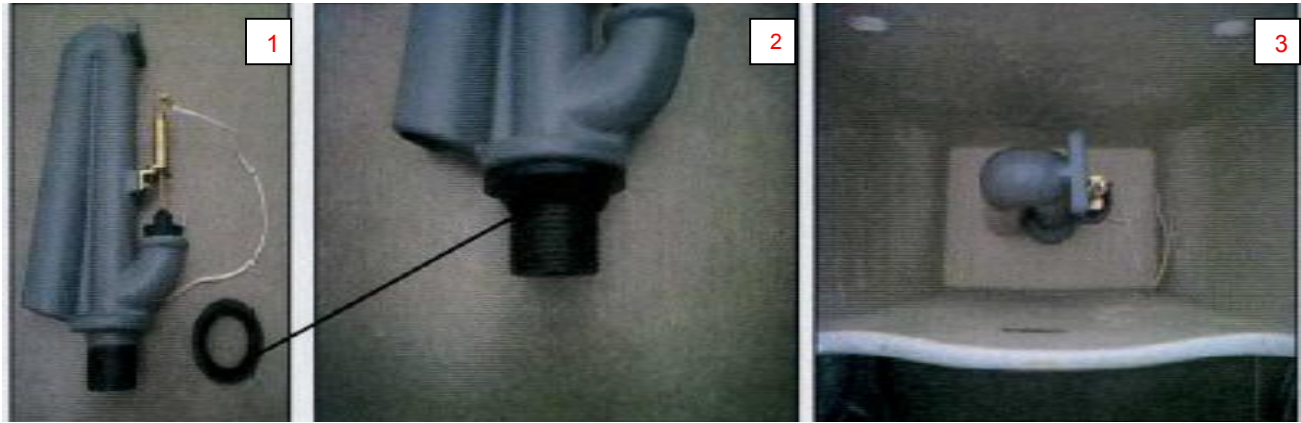


Part	Description
A	High level pan
B	Chrome pipe and fixing pack
C	High level cistern
D	Wall brackets
E	Siphon securing nut and washer
F	Pull chain linkage
G	Inlet valve and inlet valve float
H	Flush siphon
I	Inlet valve and shroud connection pack
J	Pull chain and ceramic handle

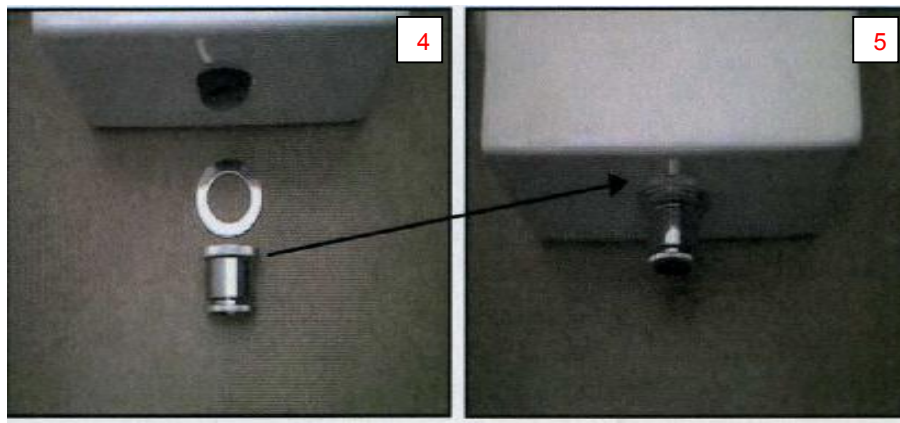
VERSAILLES HIGH LEVEL
VERHLTOIL

INSTALLATION GUIDELINES

Assembling the Cistern

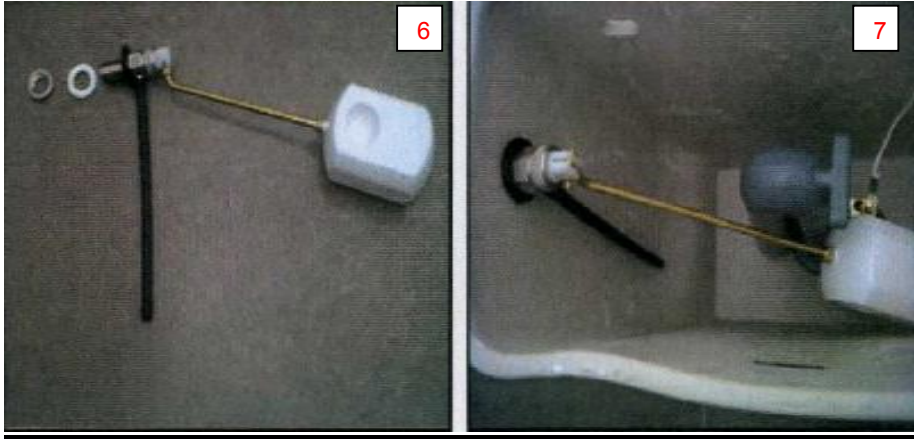


1 – 3. Place the flat washer on to the flush siphon and insert into the hole on the inside of the cistern.



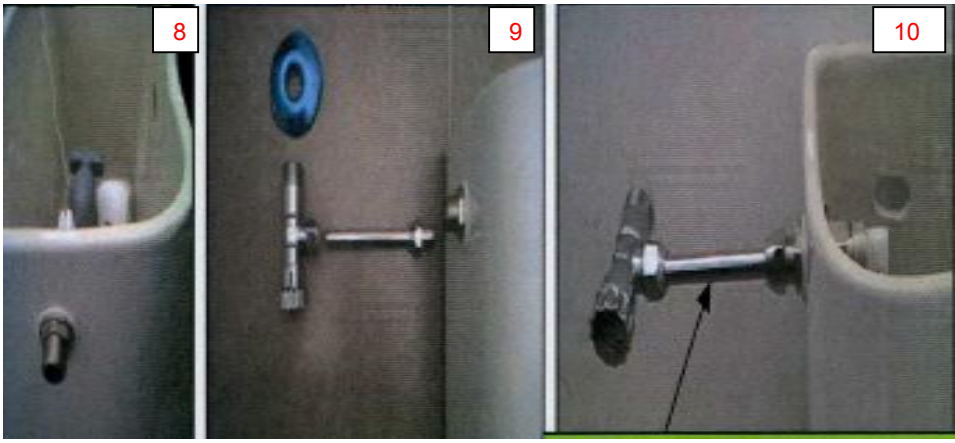
4 – 5. Secure flush siphon by placing the chrome flat washer and siphon securing nut on to the thread of the flush siphon on the outside of the cistern taking care not to over tighten.

VERSAILLES HIGH LEVEL
VERHLTOIL



6 – 7. Assemble the inlet float valve by tightening the float on to the arm and pushing the inlet noise reducing tube into position. Then place the assembled inlet float valve into position making sure the rubber washer is on the inside of the cistern tightening with the flat washer and nut.

*The inlet float valve can be position on either the right or left hand side of the cistern.

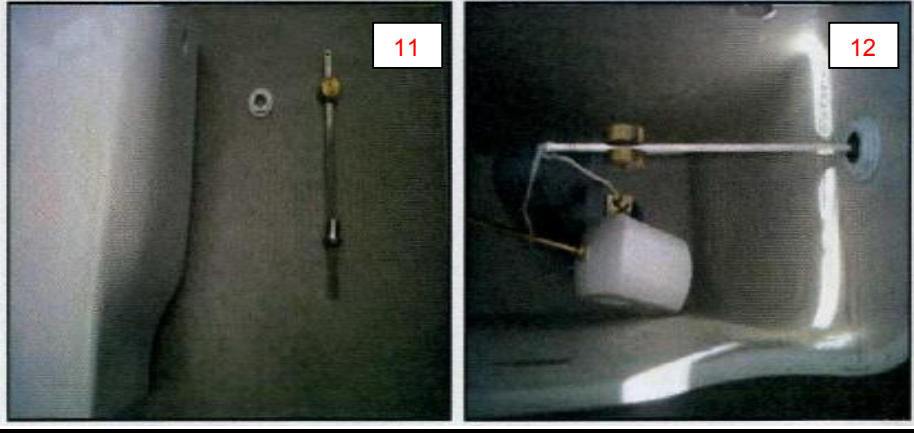


Pipe can be cut down

8 – 10. Assemble the inlet connection valve and attach to the outside thread of the inlet float valve making sure not to over tighten. Connect to pipework using chrome shroud provided.

*The chrome pipe can be cut down to required length to suit installation.

VERSAILLES HIGH LEVEL
VERHLTOIL



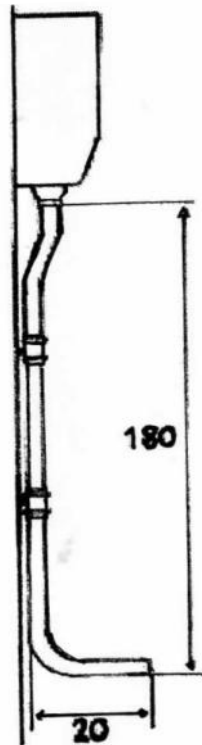
11 – 12. Position the pull chain linkage into the hole opposite the one used for the inlet float valve and secure making sure not to over tighten. Connect the nylon cord on the flush siphon through the hole in the end of the pull chain linkage and secure.



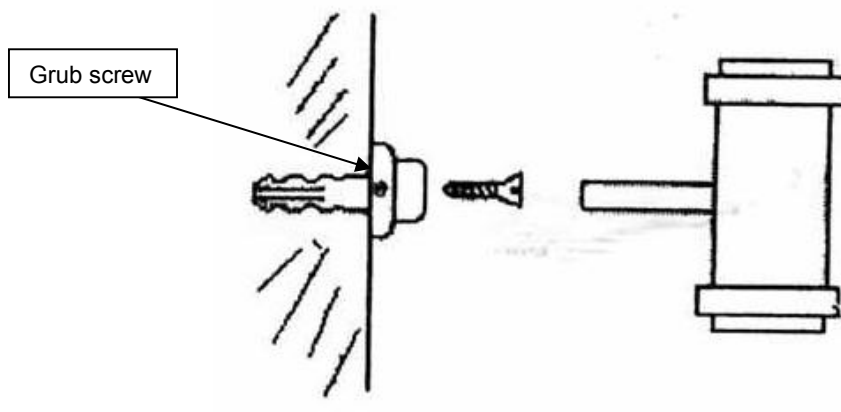
13. Attach the pull chain and ceramic handle mark the position of the wall bracket drill and secure using appropriate fixings for the substrate. *The handle should be at its highest point when held in the bracket to allow the handle chrome rod attached to pull through the bracket when flushed.

VERSAILLES HIGH LEVEL
VERHLTOIL

Assembling the Flush Pipe



The pipe length is 180cm: if this is too long the pipe can be reduced preferably by reducing the L shaped flush pipe. Assemble the flush pipe with the connecting joints in position, marking the position of the supports on the wall. Drill the holes and fix the wall brackets using appropriate fixings for the substrate. Position the flush pipe securing with the grub screws located on the wall brackets.



***Please note that both the float valve and chain linkage may need adjusting before operation.**

PRODUCT INFORMATION

FIRED EARTH

Bathrooms

VERSAILLES HIGH LEVEL VERHLTOIL

CLEANING AND CARE INSTRUCTIONS

To maintain the pleasing appearance of your Versailles high level toilet you must perform periodic and frequent cleaning. For best results use a mild soap, rinse thoroughly with warm water and blot dry with a soft clean cloth. In the event of stubborn blemishes shown on the finish, we recommend using a detergent with a soft cloth, but we do not recommend it be used on an everyday basis.

“**Fired Earth Rubber (BATHRUBBER)**”, below, is designed to remove scuff marks.



PRODUCT INFORMATION

FIRED EARTH

Bathrooms

VERSAILLES HIGH LEVEL
VERHLTOIL

WAREHOUSE LONG DESCRIPTION

Packaging

Weight

No. boxes per product code

Dimensions of outers

Dimensions of inners

How many inners per outer?

Agreed packaging standard

Pallet specification agreed

Label specification

FE code

Batch No.

Date packed

FIRED EARTH