

PRODUCT INFORMATION

Bathrooms; updated 17/11/10 in *blue & italics* Alex Clark

VERLLTOIL CLOSE COUPLED WC PAN & CISTERN



Horizontal bar below rim distinguishes Versailles from former La Rochelle range (on display)
Close Coupled Pan & Dual Flush Cistern with White Versailles Seat pictured above
17/11/10 toilet seats for use with pan; 6litre & 3litre flush;

RANGE DETAILS

Description	Product Code
Versailles Close Coupled Pan	VERCCPAN
Versailles Close Coupled Cistern	VERCCCIS
Versailles Toilet Seat – White - Chrome	VERTSWHT
Versailles Toilet Seat – Walnut - Gold	VERTSWAGL
<i>Versailles Toilet Seat – Walnut (chrome)</i>	<i>VERTSWALC</i>
<u>Assembly Description</u>	<u>Codes</u>
Versailles Low Level Toilet (excl seat)	VERLLTOIL

Ordering Process

Analysis Code: PTVE / TSEA

Ordering process: Stocked product

PRODUCT INFORMATION

Bathrooms; updated 17/11/10 in *blue & italics* Alex Clark

VERLLTOIL CLOSE COUPLED WC PAN & CISTERN

FEATURES AND BENEFITS

- An iconic Fired Earth product and one of our top sellers over the last 4 years.
- Replaces the old La Rochelle range.
- Manufactured entirely in Italy – Using high quality raw material
- Dual flushing mechanism & dual flush push button are included in box and price
 - *6 litre and 3 litre flush*
- Packed in dedicated Fired Earth branded packaging.
- Fired Earth branded care & maintenance (low adhesive) label on every piece.
- Water supply inlet is in the bottom of the cistern on the left hand side.

FAQs

Q: Does this range fully replace the La Rochelle?

A: Yes, although the La Rochelle Bath (LARBAT) is still current.

Q: Why is this range better than La Rochelle?

A: New factory that produces better quality product> which means greater factory yields so improved availability.

Q: Do we keep La Rochelle on display in our showroom?

A: Yes

Q: What are the differences between Versailles & La Rochelle (on display)?

A:

- 1) Minor changes in sizes of the moulds.
- 2) New Versailles pans have a horizontal bar below the pan rim (see photos above)

Q: Are the items set up as “Assembly“ codes?

A: Yes so selling by assembly code automatically supplies both pan & cistern

Q: What are the dimensional tolerances?

A: +/- 2% industry wide standard

Q: Other FAQs?

A:

- Push button to operate the flush valve is located on the top of the cistern.
- Cistern supported by the pan only, no holes are provided in the back of the cistern.
- Cistern fixed to pan by bolts (provided in box) passing through holes in the base of the cistern.
- Two extra holes, which are not required, are positioned in the sides of the cistern. These are capped off with plastic plugs provided.
- The overflow from the cistern is integral.
- Waste outlet from the pan is in the horizontal position (facing the wall).

PRODUCT INFORMATION

Bathrooms; updated 17/11/10 in *blue & italics* Alex Clark

VERLLTOIL CLOSE COUPLED WC PAN & CISTERN

- Two fixing holes are provided in the base of the pan for fixing to the floor.

PACK CONTENTS



Part
Low level / close coupled pan
FE branded care & maintenance label
FE branded box



Part
Dual flush mechanism
Hole in side (not required so can be capped off with plugs provided in box)
Low level cistern

PRODUCT INFORMATION

Bathrooms; updated 17/11/10 in *blue & italics* Alex Clark

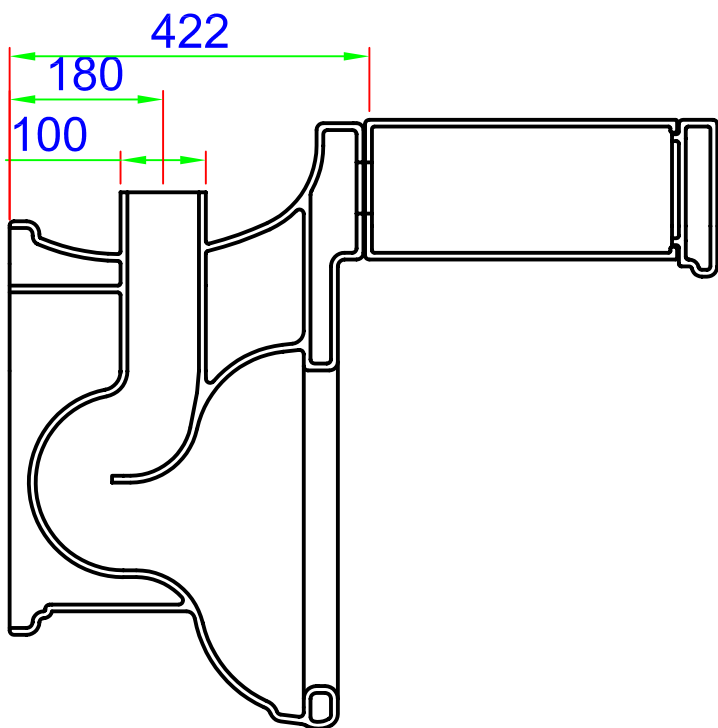
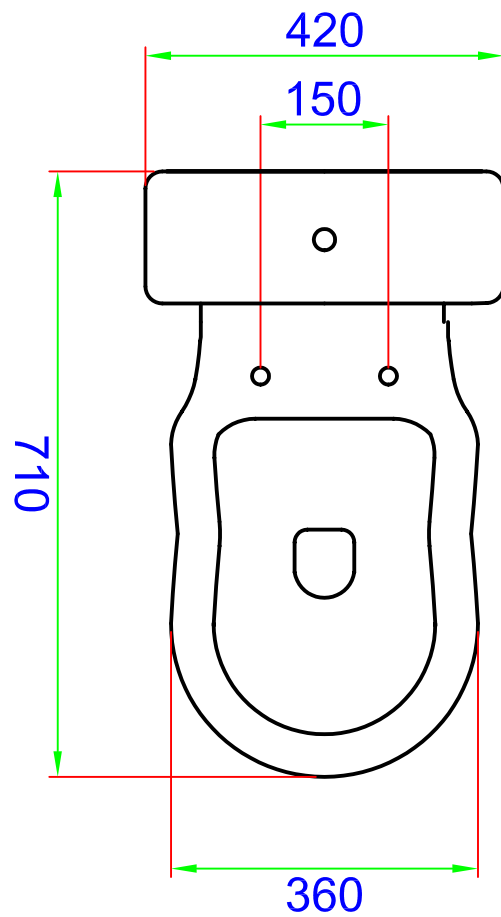
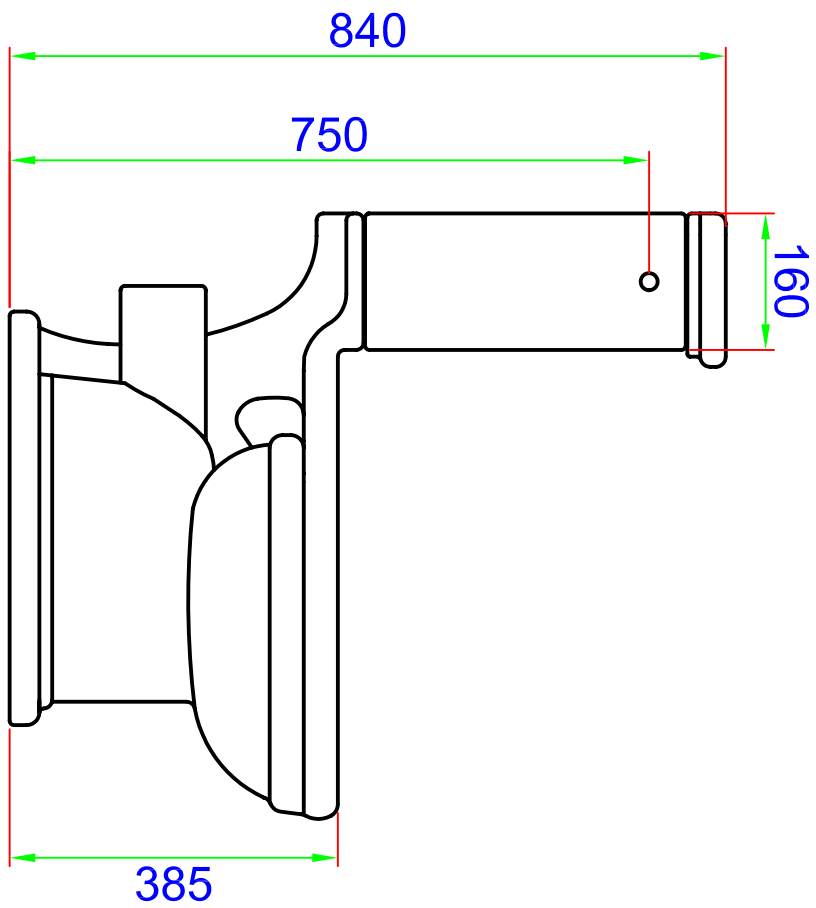
VERLLTOIL CLOSE COUPLED WC PAN & CISTERN

Inlet valve



Flushing mechanism





1	2	3	4	5	6	7	8	9	10	11	12	13	14	15	16	17	18	19	20	21	22	23	24	25	26	27	28	29	30	31	32	33	34	35	36	37	38	39	40	41	42	43	44	45	46	47	48	49	50	51	52	53	54	55	56	57	58	59	60	61	62	63	64	65	66	67	68	69	70	71	72	73	74	75	76	77	78	79	80	81	82	83	84	85	86	87	88	89	90	91	92	93	94	95	96	97	98	99	100
---	---	---	---	---	---	---	---	---	----	----	----	----	----	----	----	----	----	----	----	----	----	----	----	----	----	----	----	----	----	----	----	----	----	----	----	----	----	----	----	----	----	----	----	----	----	----	----	----	----	----	----	----	----	----	----	----	----	----	----	----	----	----	----	----	----	----	----	----	----	----	----	----	----	----	----	----	----	----	----	----	----	----	----	----	----	----	----	----	----	----	----	----	----	----	----	----	----	----	-----

PRODUCT INFORMATION

Bathrooms; updated 17/11/10 in *blue & italics* Alex Clark

VERLLTOIL CLOSE COUPLED WC PAN & CISTERN

INSTALLATION GUIDELINES

1. Installation should be carried out by a competent engineer, bathroom installer in accordance with water regulations
2. Before installation, ensure product is fully checked & supply pipes are flushed clean. Debris or loose particles will affect the efficiency of the inlet valve
3. Product weights in kg's are on labels on product.

CLEANING AND CARE INSTRUCTIONS

Sanitary ware (General)

- To maintain the pleasing appearance of your Versailles Bathroom product you must perform periodic and frequent cleaning.
- For best results clean using a mild soap, rinse thoroughly with warm water and blot dry with a clean, soft cloth.
- In the event of stubborn blemishes shown on the finish, we recommend using a detergent with a soft cloth, but we do not recommend it be used on an everyday basis.
- “**Fired Earth Rubber (BATHRUBBER)**”, below, is designed to remove scuff marks, for example, thin grey scuff lines caused by wedding rings.

